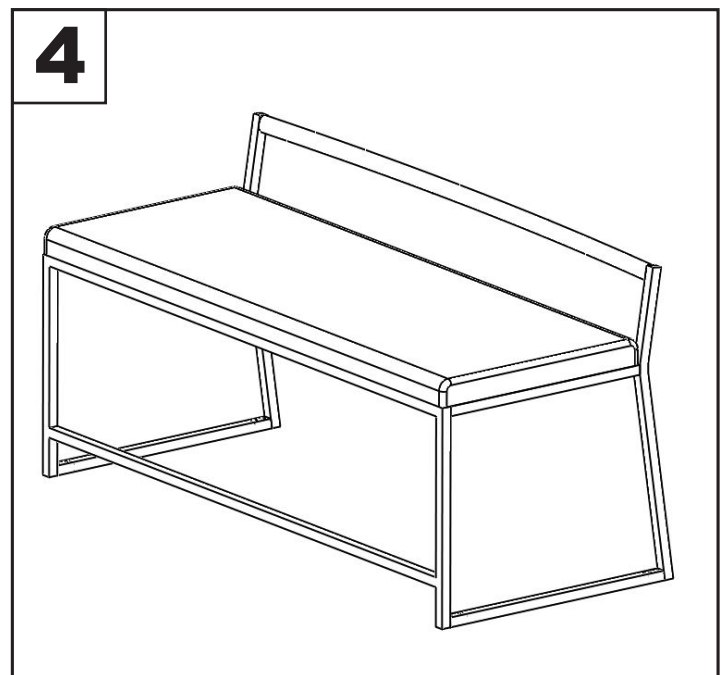
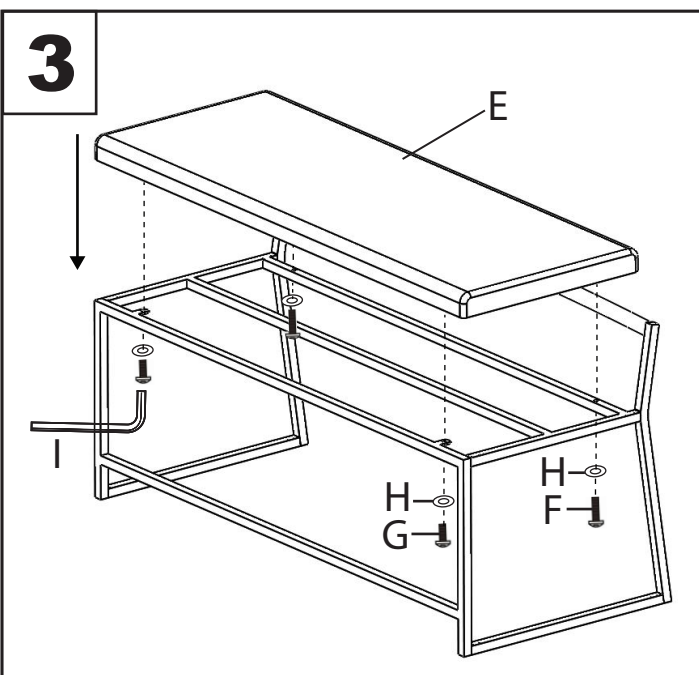
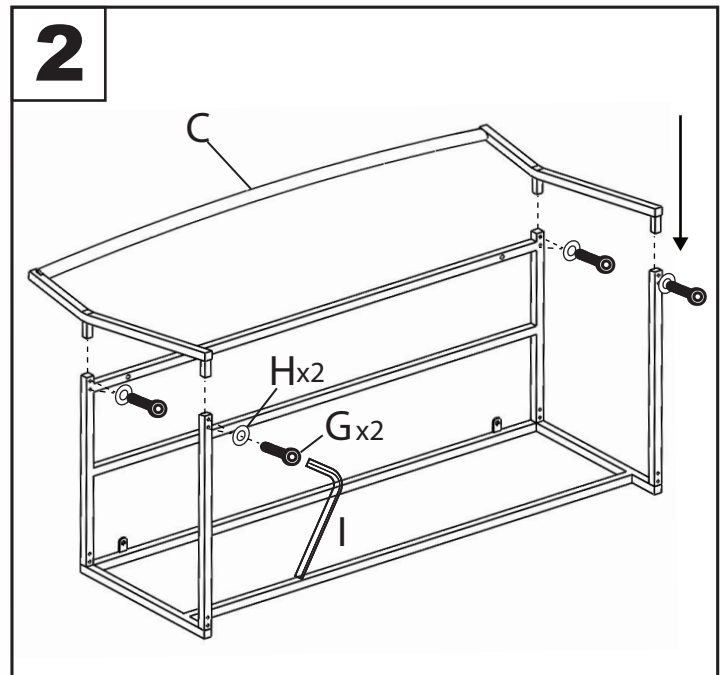
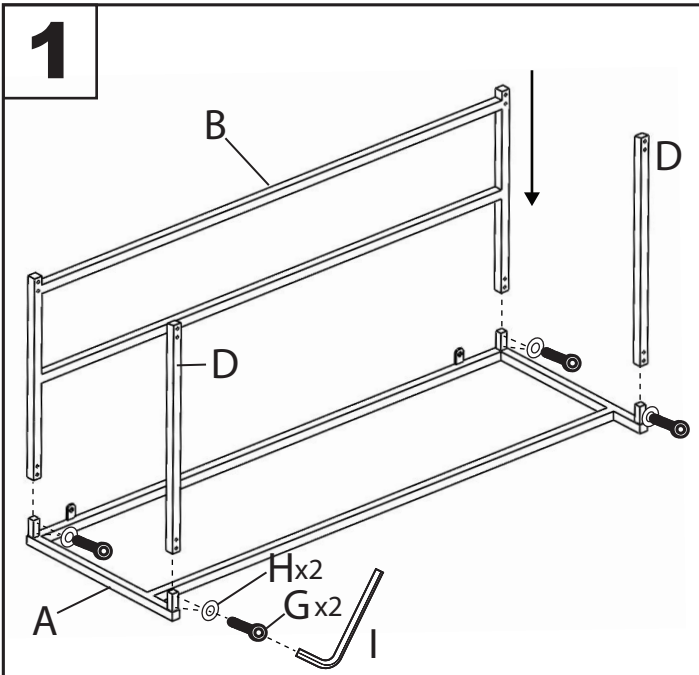
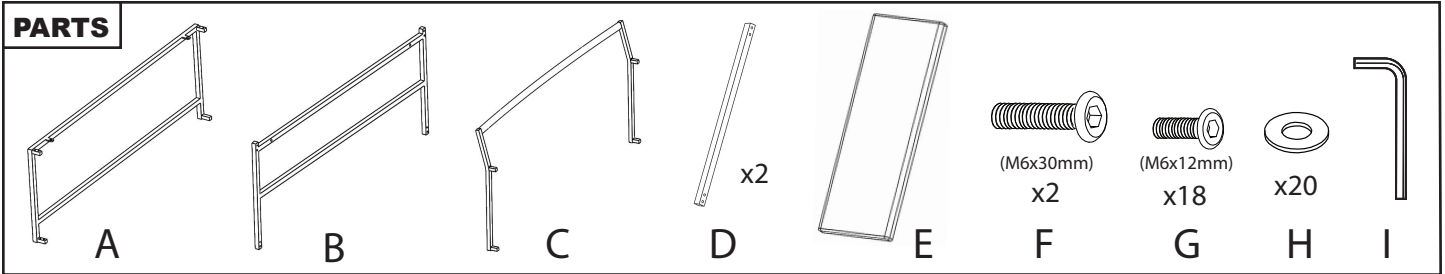


Part # BC-FUJI X1

18-1206



Do not over tighten.
 Do not use power tools to assemble.