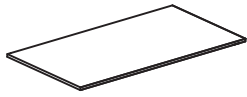


Part # CT-AVERY XX+XX

18-0703

PARTS



x1
A



x1
B



x2
C



x2
D



x2
E



x16
F



x2
G

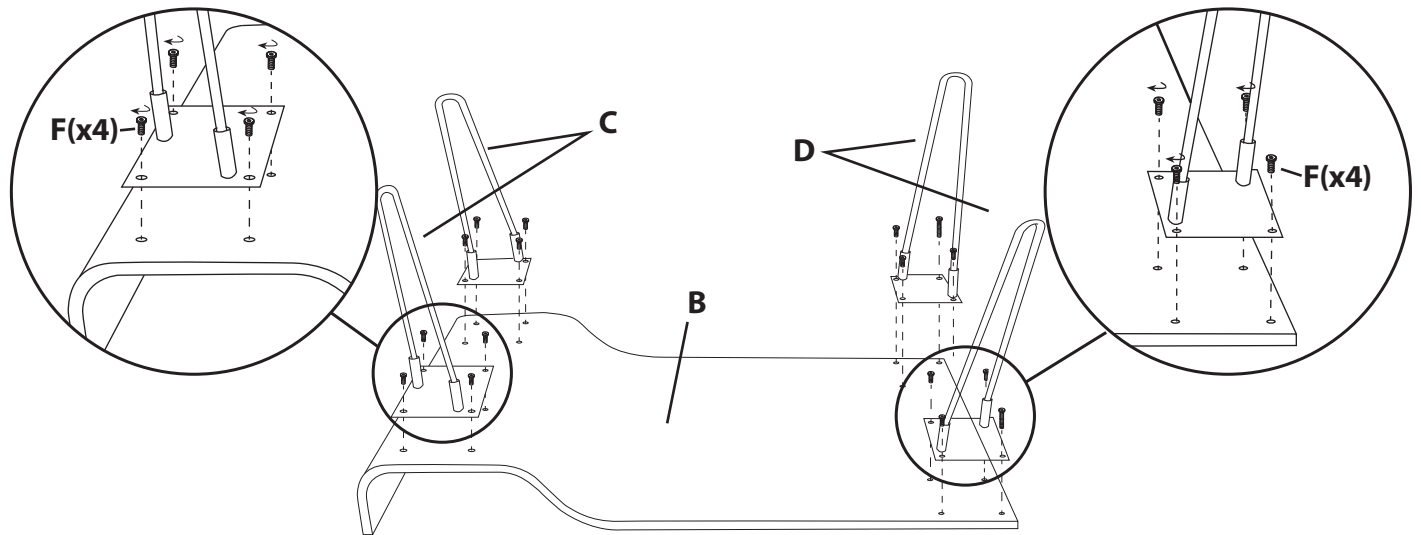


x2
H

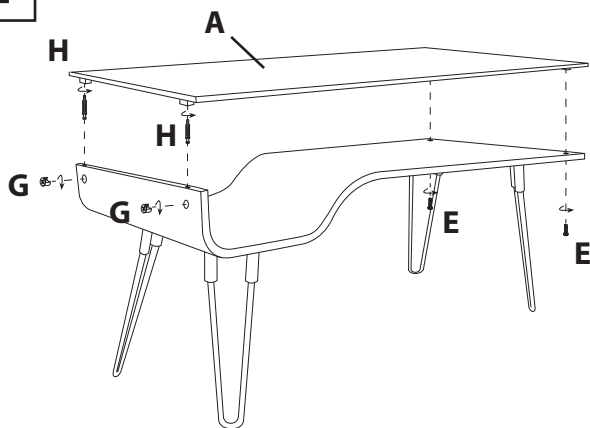


x1
I

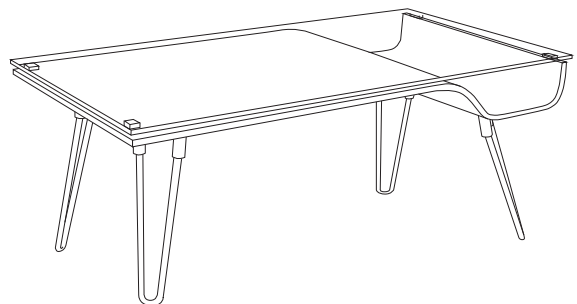
1



2



3



Do not over tighten.
 Do not use power tools to assemble.
www.LumiSource.com