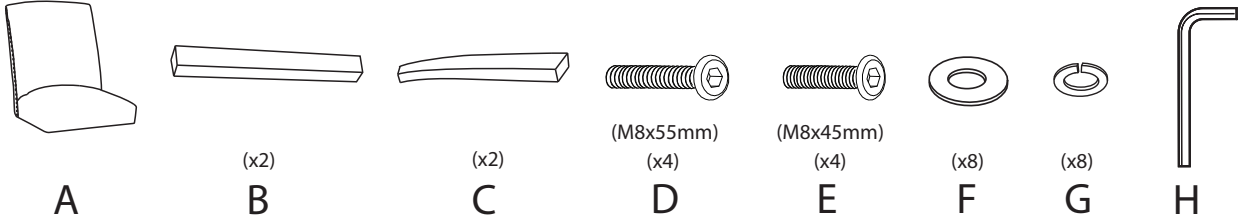


# Tori Dining Chair

Part # CH-TORI XX+XX

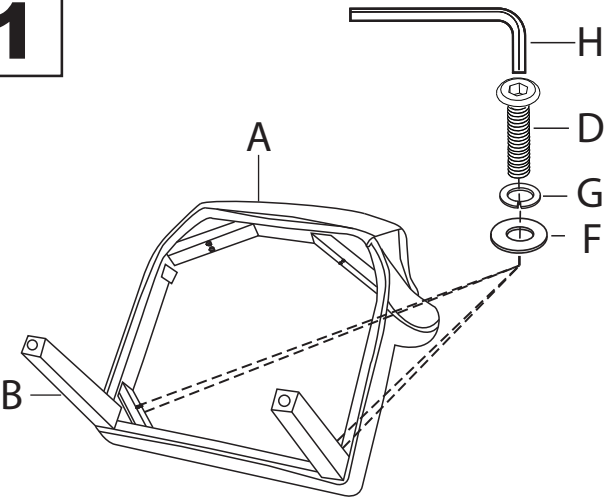
18-0727

**PARTS**



A B (x2) C (x2) D (M8x55mm) (x4) E (M8x45mm) (x4) F (x8) G (x8) H

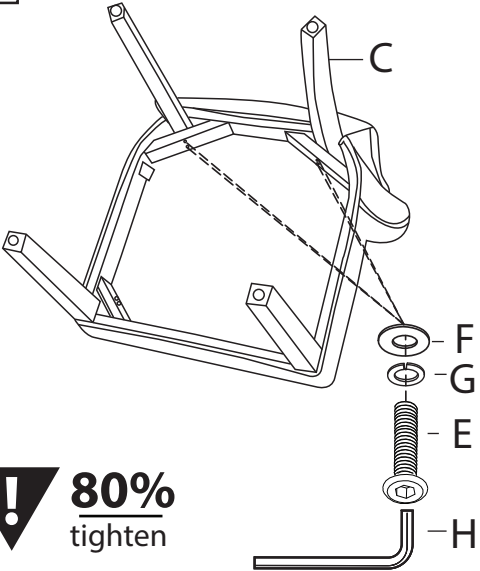
**1**



A B H D G F

**! 80% tighten**

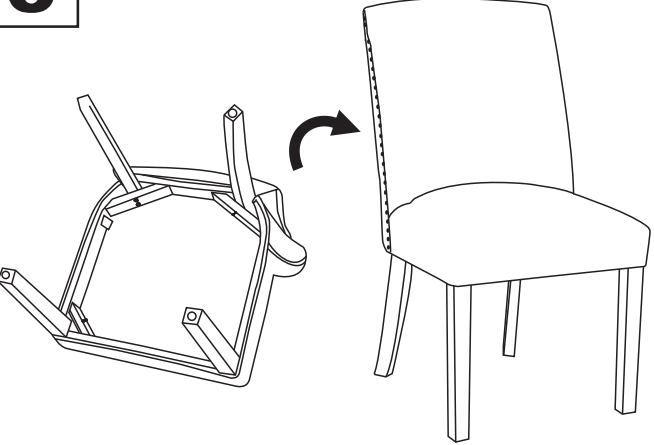
**2**



C H F G E

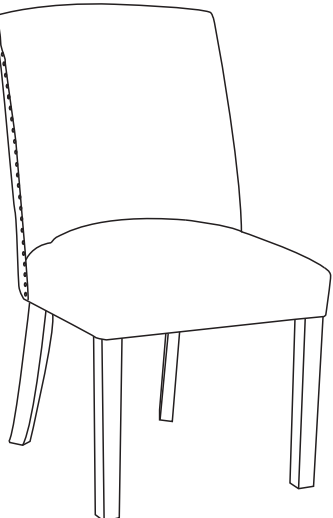
**! 80% tighten**

**3**



**! 100% tighten**

**4**




Do not over tighten.  
Do not use power tools to assemble.