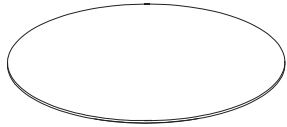


# Canary Dining Table

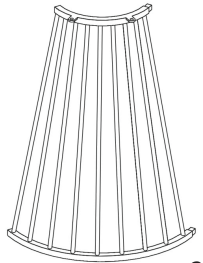
Part # DT-CANARY2 XX+XX

18-0904

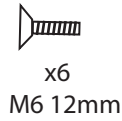
**PARTS**



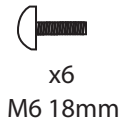
A



B x3



x6  
M6 12mm



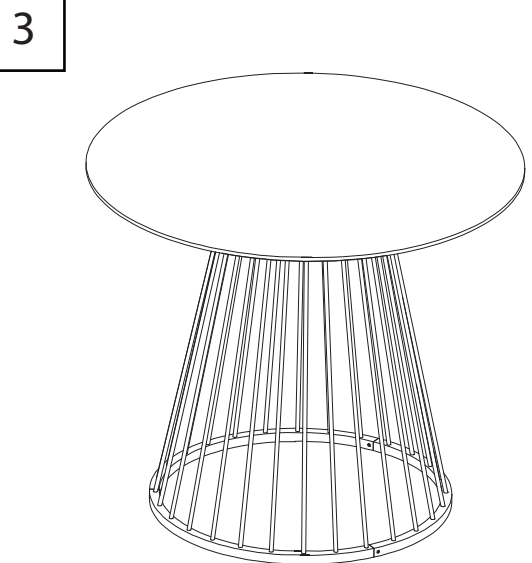
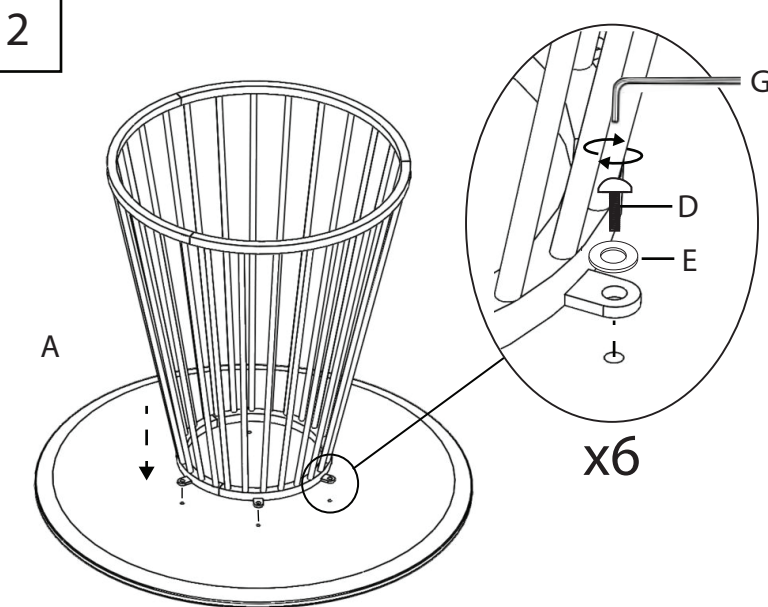
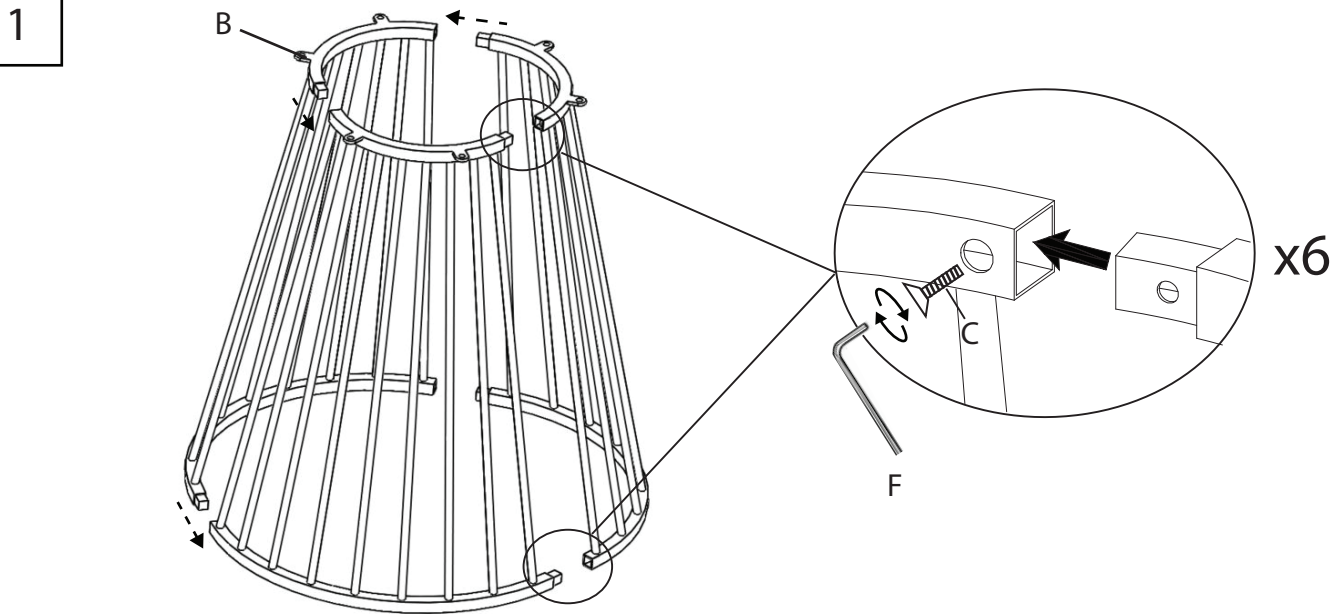
x6  
M6 18mm



x6



F



Do not over tighten.  
 Do not use power tools to assemble.