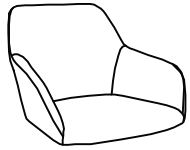


Daniella Dining Chair

Part # DC-DANIELLA XX+XX

18-0730

PARTS



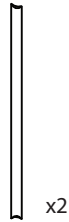
A



B



C



D

x2



x4
M6 20mm

E



x4
M8 30mm

F



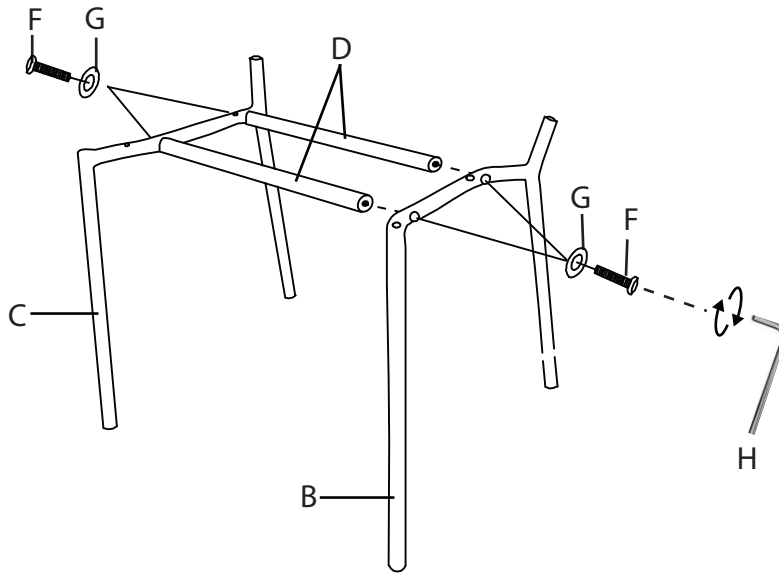
x4

G

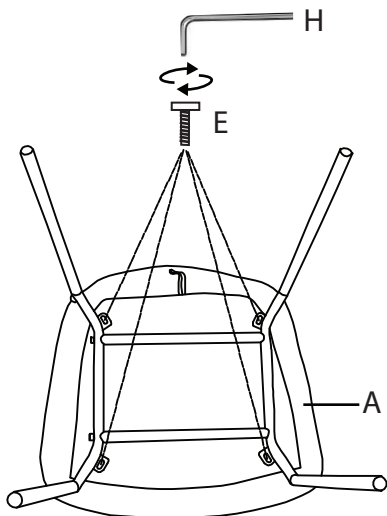


H

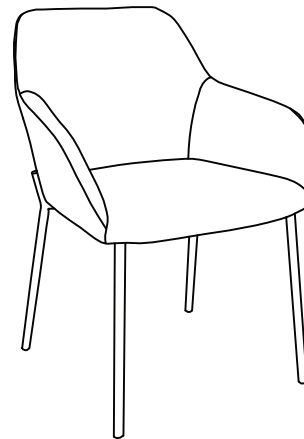
1



2



3



Do not over tighten.
 Do not use power tools to assemble.