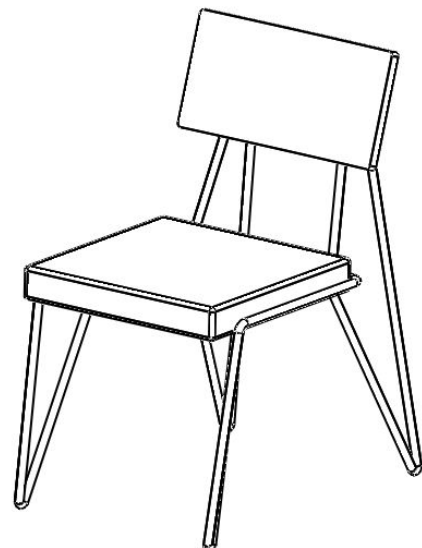
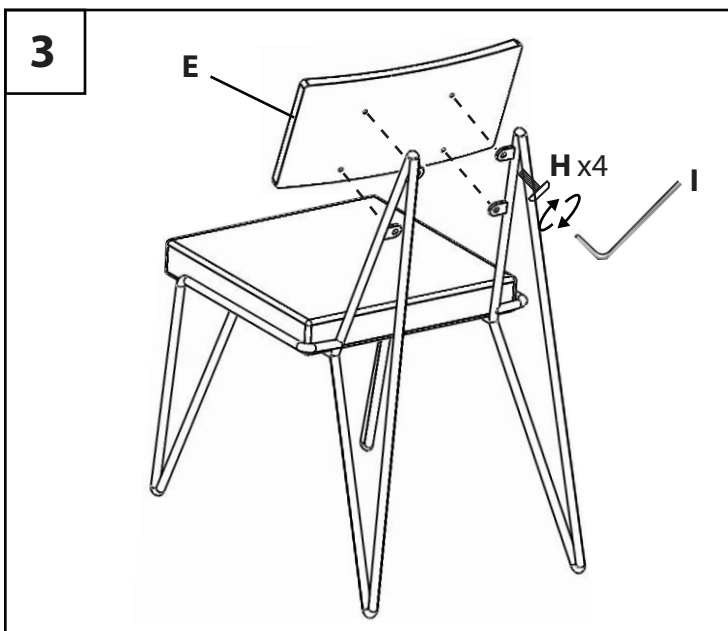
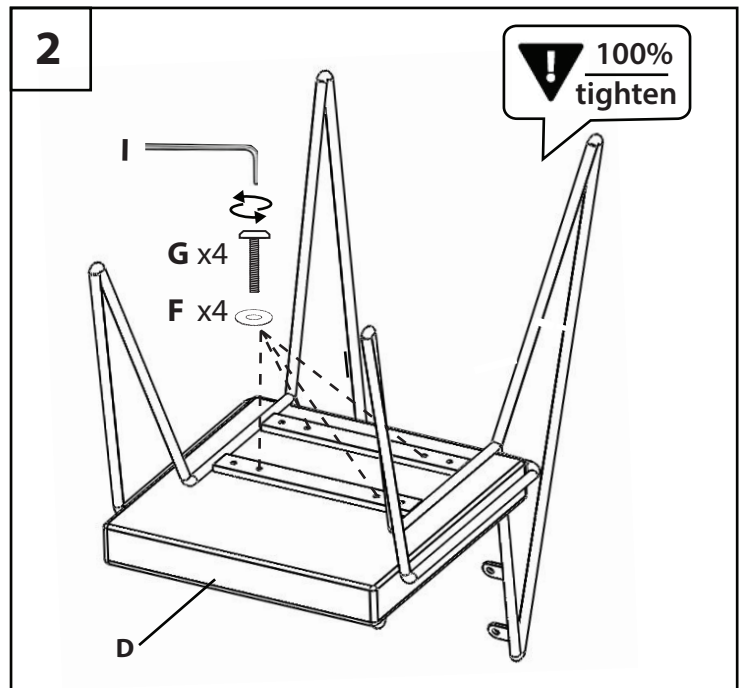
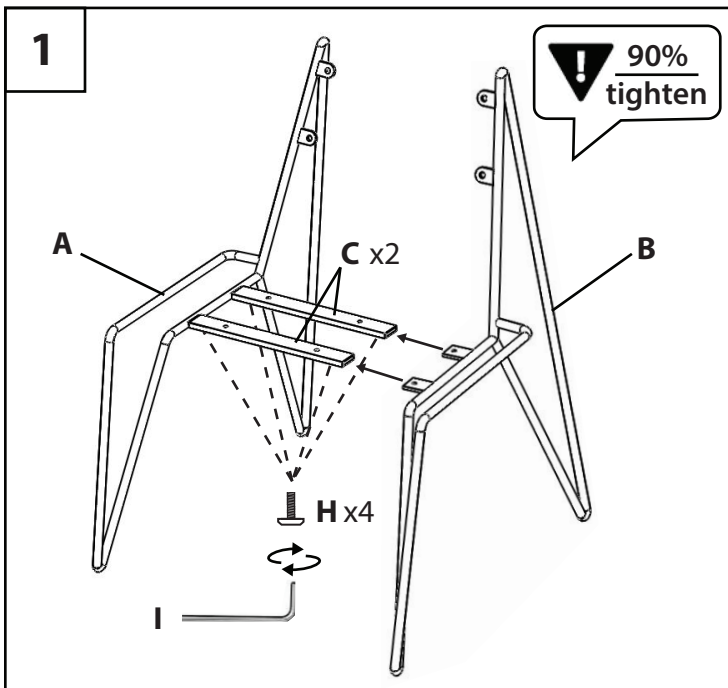
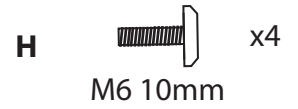
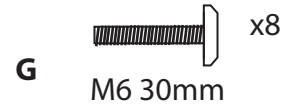
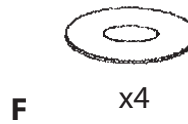
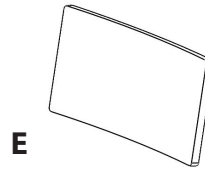
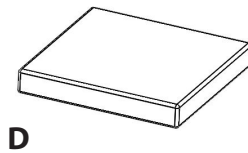
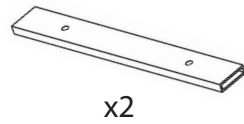
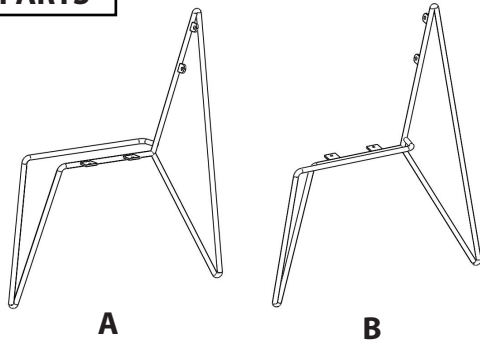


Part # CH-LOFT XX+XX

17-0517

**PARTS**



Do not over tighten.  
 Do not use power tools to assemble.