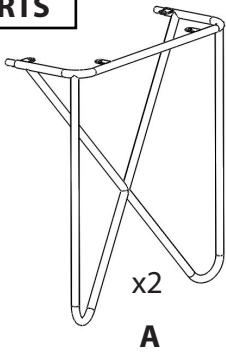


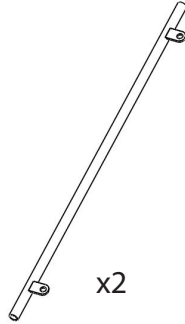
Part # OFD-LOFT XX+XX

17-0517

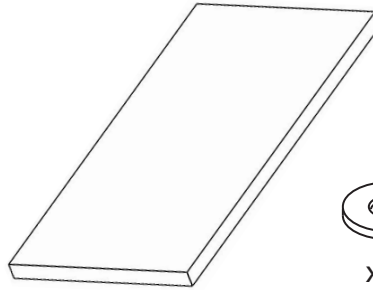
**PARTS**



x2  
**A**



x2  
**B**



**C**



x20  
**D**



x4  
**E** M6 10mm

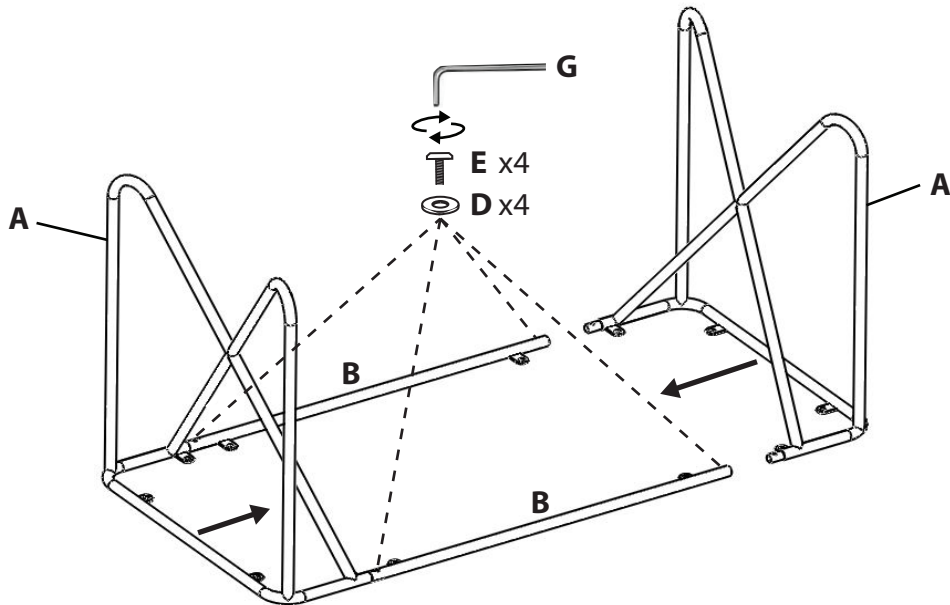


x16  
**F** M6 15mm

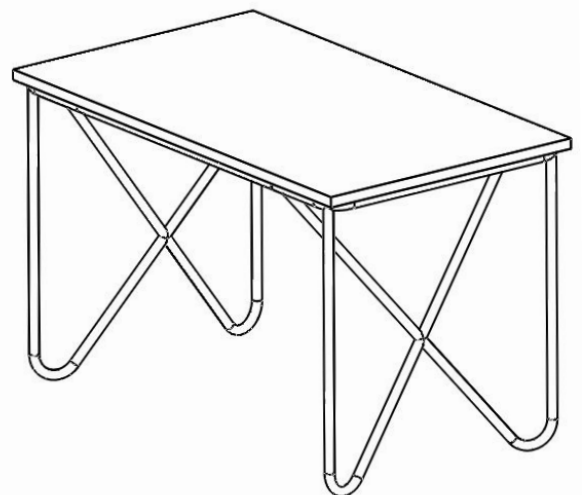
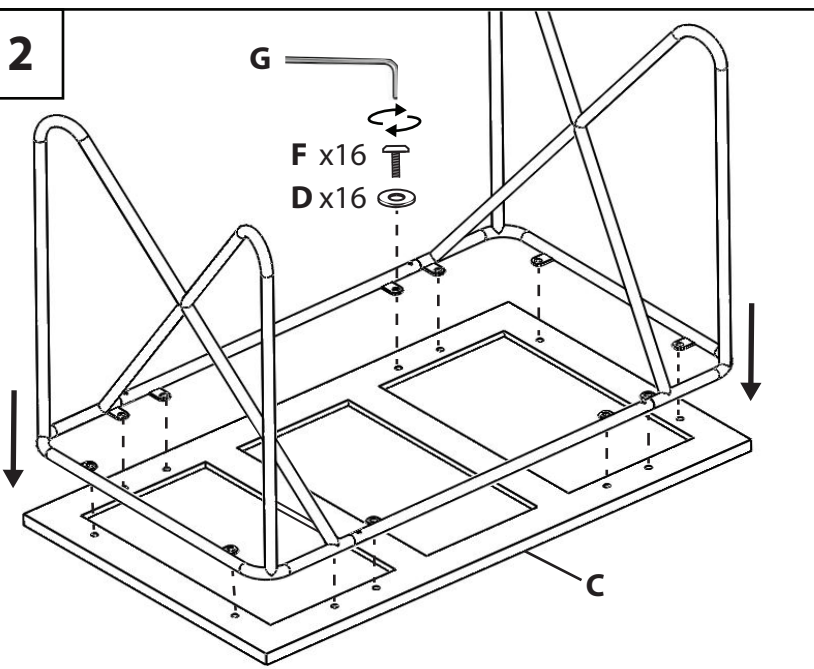


**G**

**1**



**2**



Do not over tighten.  
 Do not use power tools to assemble.