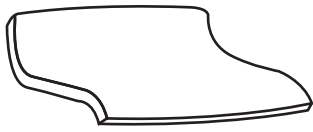


# Ale Bar Stool

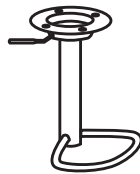
Part # BS-TW-ALE XX

17-0623

**PARTS**



A



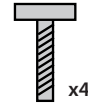
B



C



D

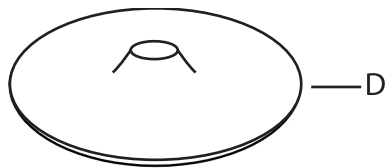
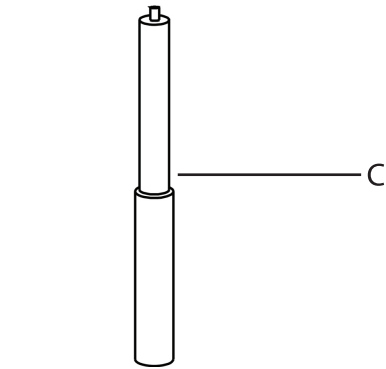
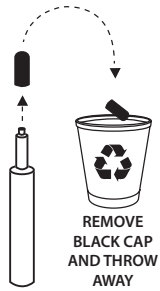


E

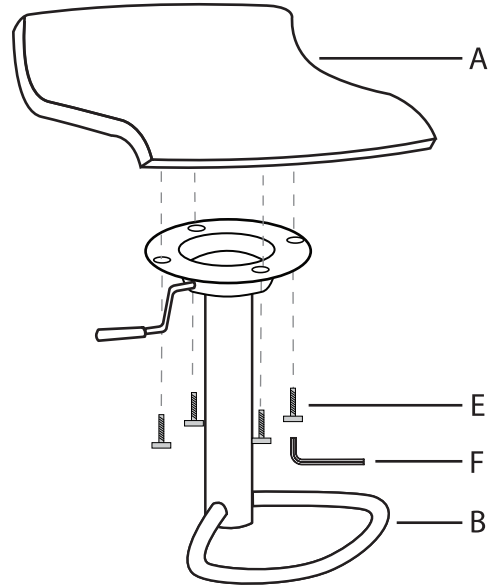


F

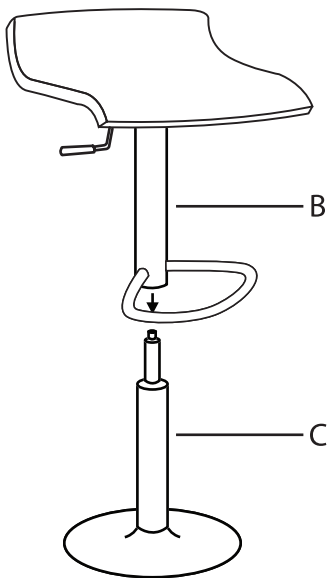
**1**



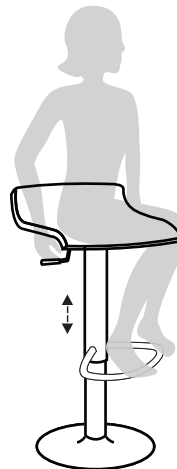
**2**



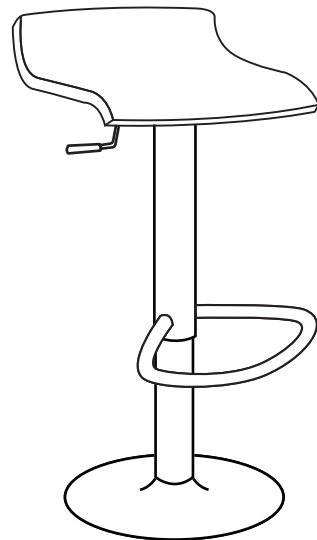
**3**



**4**



SIT TO SECURE



Do not over tighten.  
 Do not use power tools to assemble.

**WARNING:**

- DO NOT STAND ON OR USE THIS STOOL AS A STEP LADDER.
- THIS STOOL IS MEANT TO SEAT ONLY ONE PERSON AT A TIME
- ALL BOLTS, SCREWS, AND KNOBS MUST BE TIGHTLY SECURED, AND SHOULD BE CHECKED AT LEAST EVERY 4 MONTHS.
- IF PARTS ARE MISSING, BROKEN, DAMAGED OR WORN, THEN STOP USING THE PRODUCT UNTIL REPAIRS ARE MADE USING FACTORY AUTHORIZED PARTS.