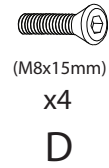
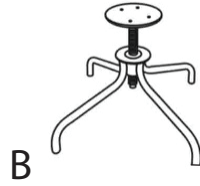
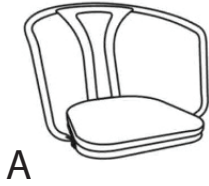


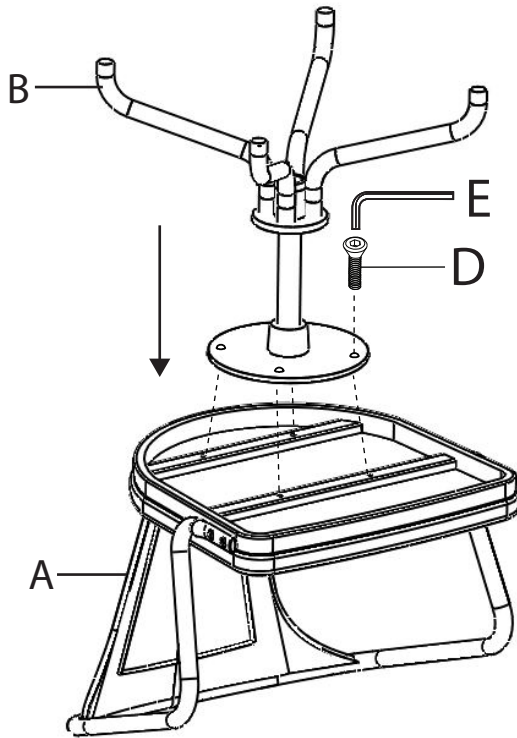
Part # OC-OR XX+XX

18-1228

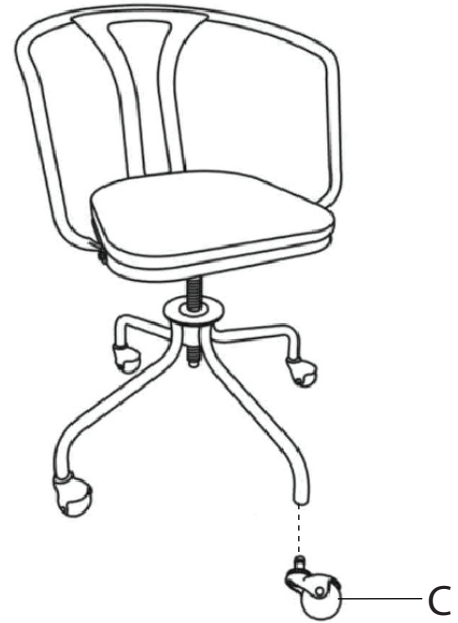
PARTS



1



2



3



Do not over tighten.
Do not use power tools to assemble.