

Part # TBC-DRIFT XX+XX

19-0502

## PARTS



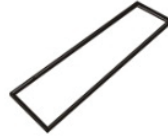
A



B



C



D



x2

E

x8  
(M6x25mm)

F

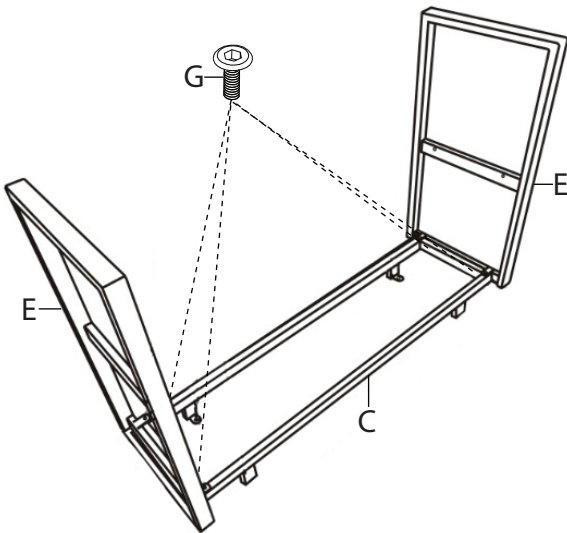
x8  
(M6x10mm)

G

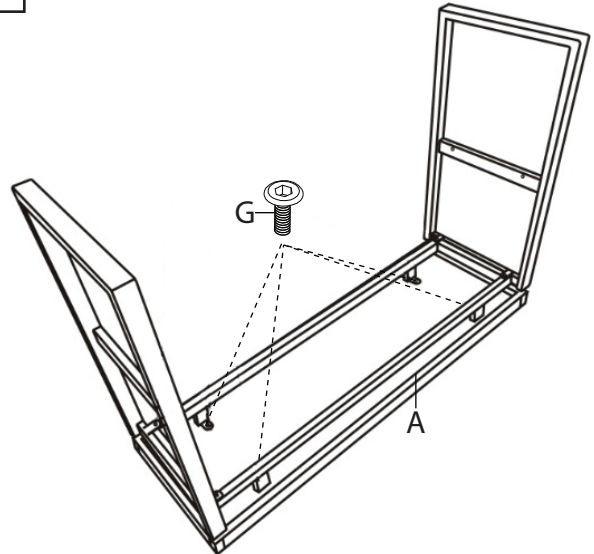


H

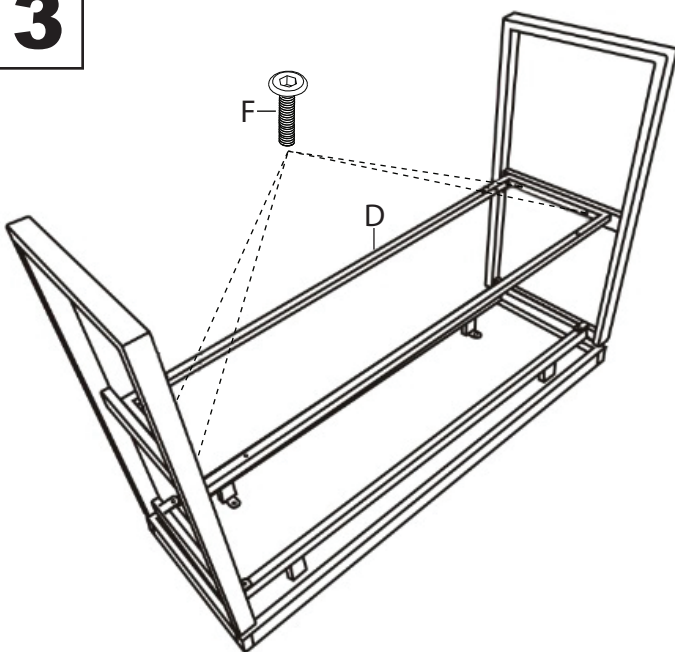
1



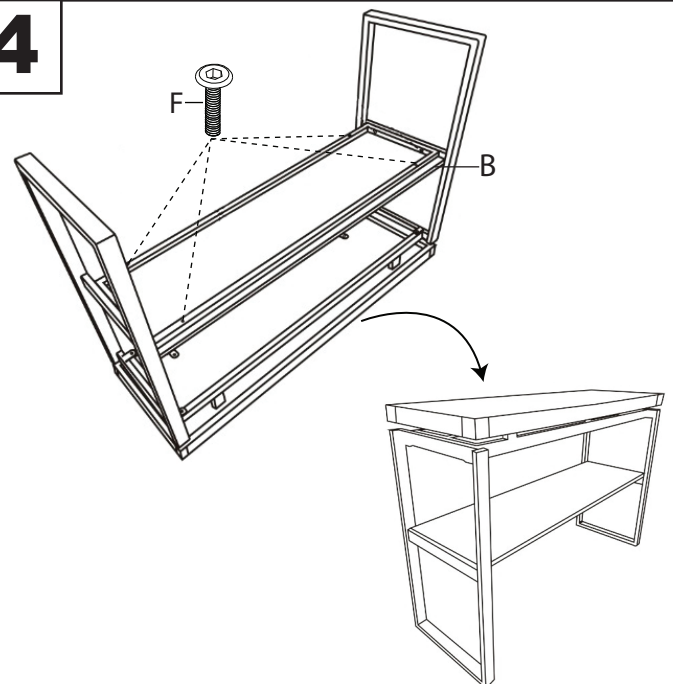
2



3



4



Do not over tighten.  
Do not use power tools to assemble.