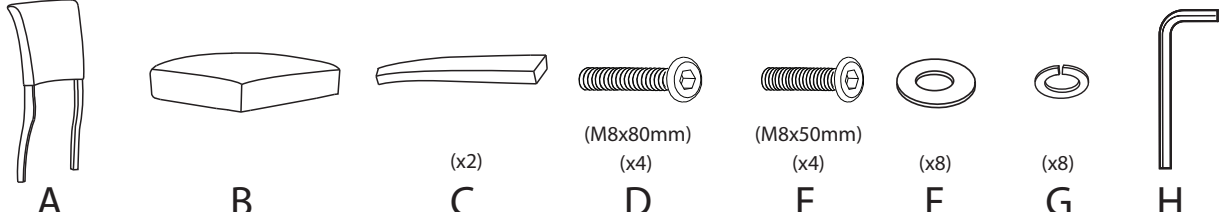


# Rita Dining Chair

Part # CH-RITA XX+XX

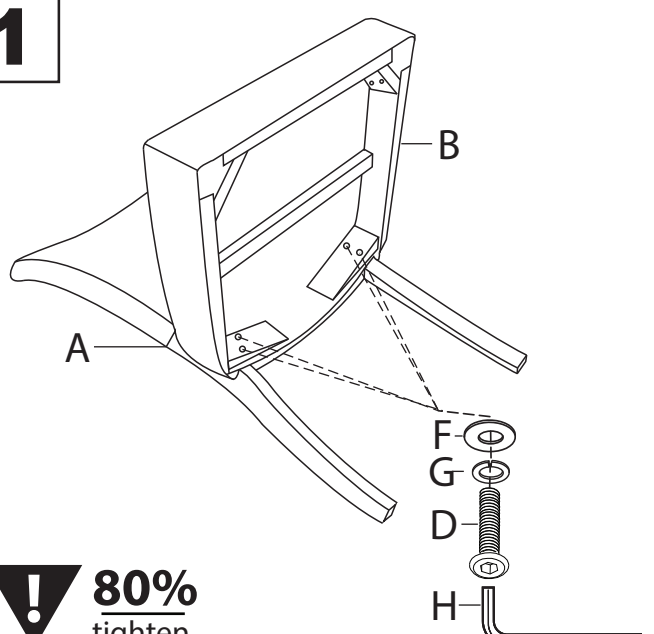
18-0725

**PARTS**



A B C (x2) D (M8x80mm) (x4) E (M8x50mm) (x4) F (x8) G (x8) H

**1**

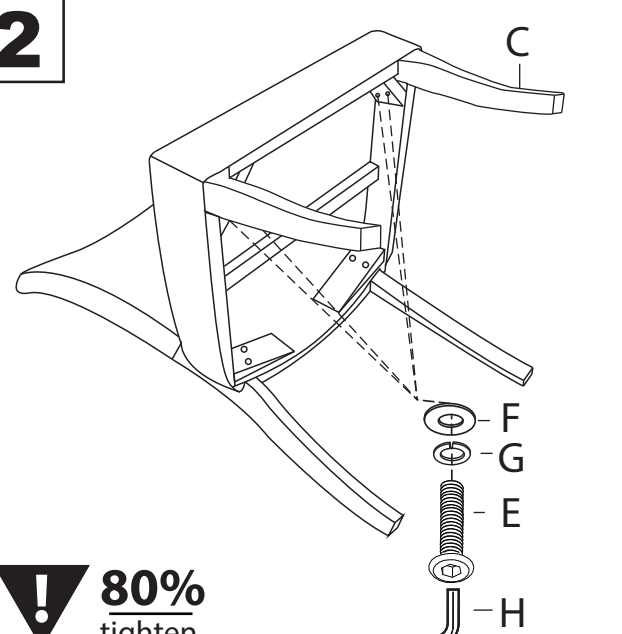


A B

F G D H

**! 80% tighten**

**2**

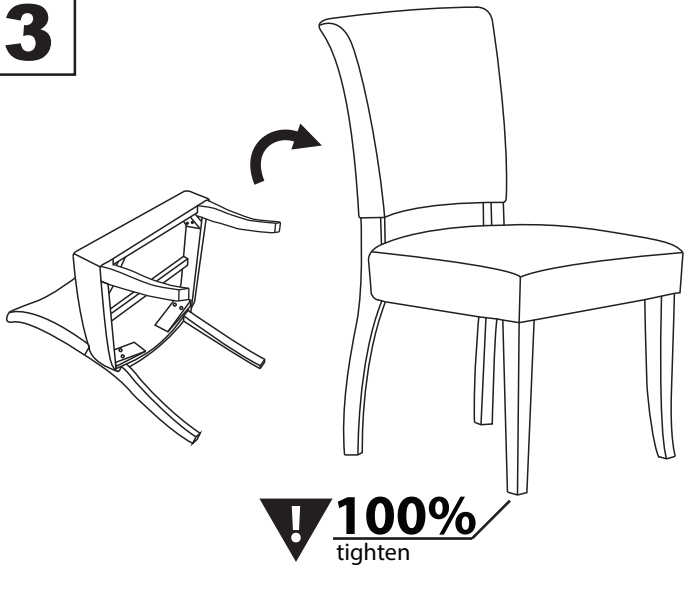


C

F G E H

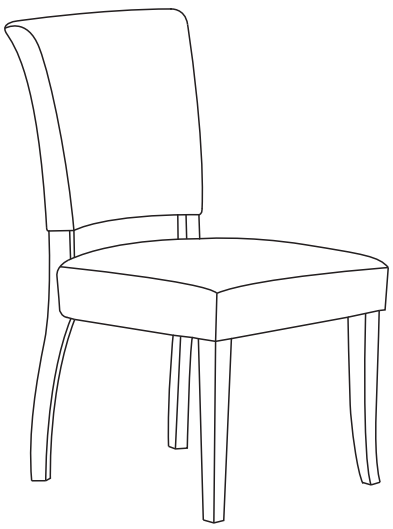
**! 80% tighten**

**3**



**! 100% tighten**

**4**




Do not over tighten.  
Do not use power tools to assemble.