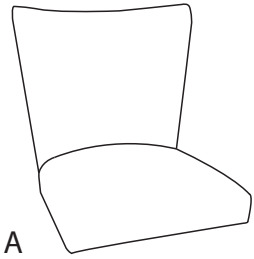


Addison Dining Chair

Part # CH-ADISON XX+XX

18-0725

PARTS



A



B

x2



C

x2



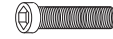
x4

D M8 45mm



x8

F



x4

E M8 60mm



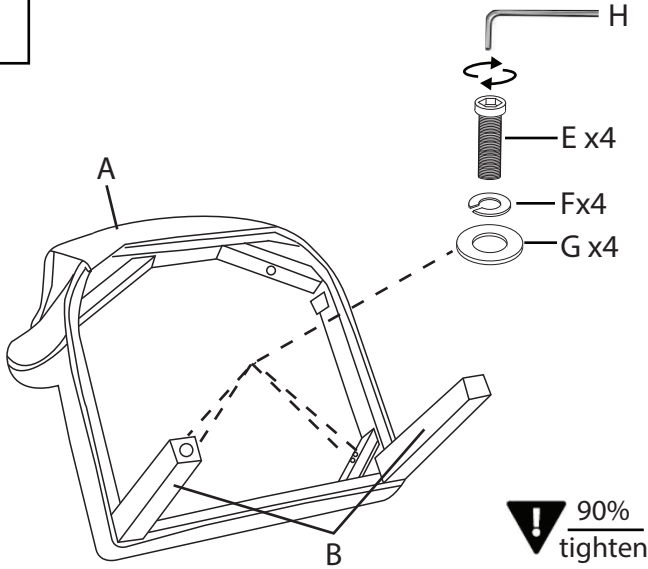
x8

G



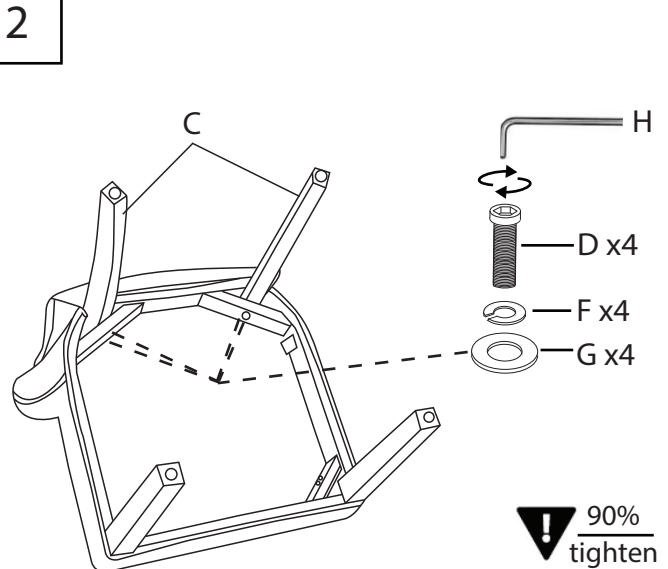
H

1



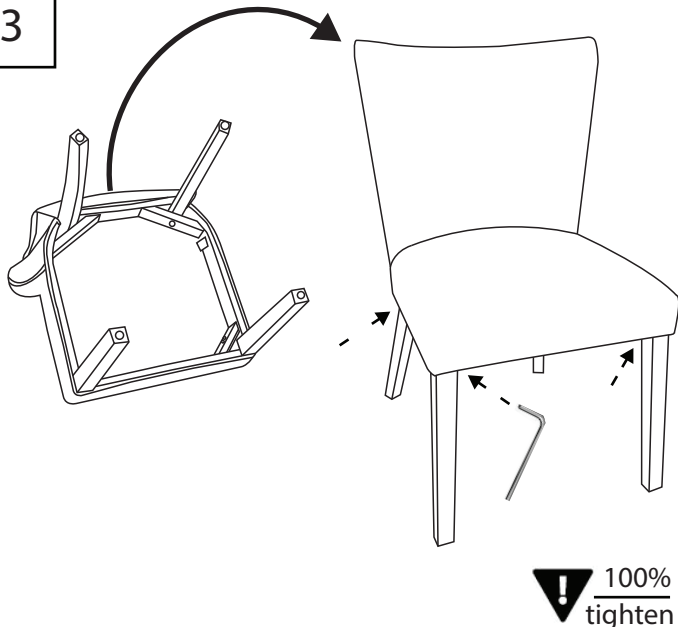
90%
tighten

2



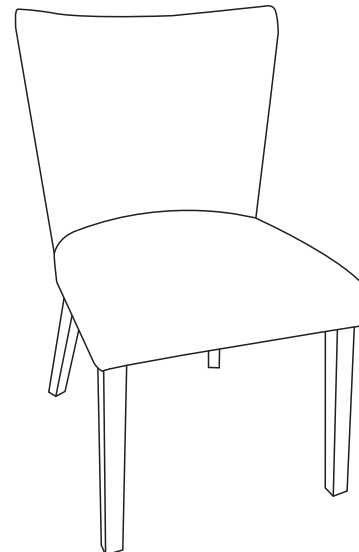
90%
tighten

3



100%
tighten

4



Do not over tighten.
 Do not use power tools to assemble.