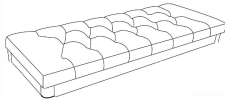


Jackson Bench

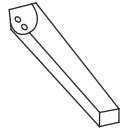
Part # BC-JACKSON XX+XX

19-0222

PARTS



A



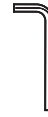
x4
B



(M8x45mm)
x8
C

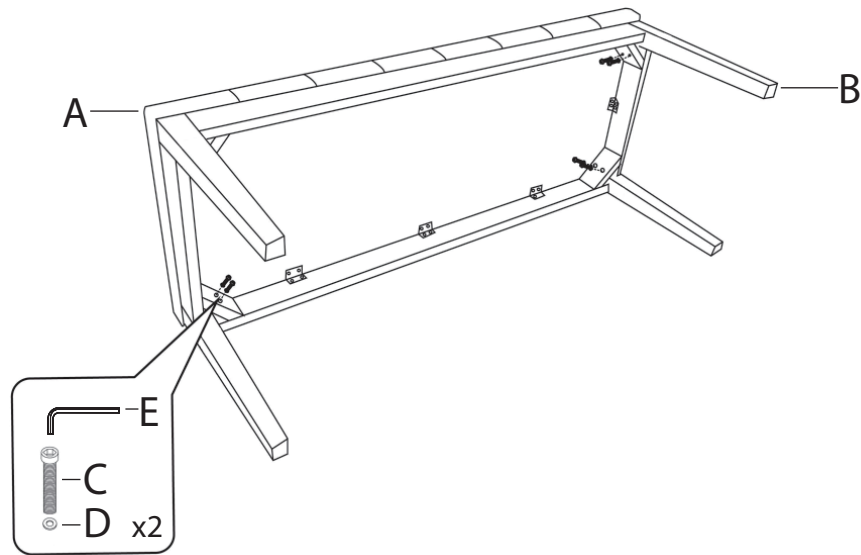


x8
D



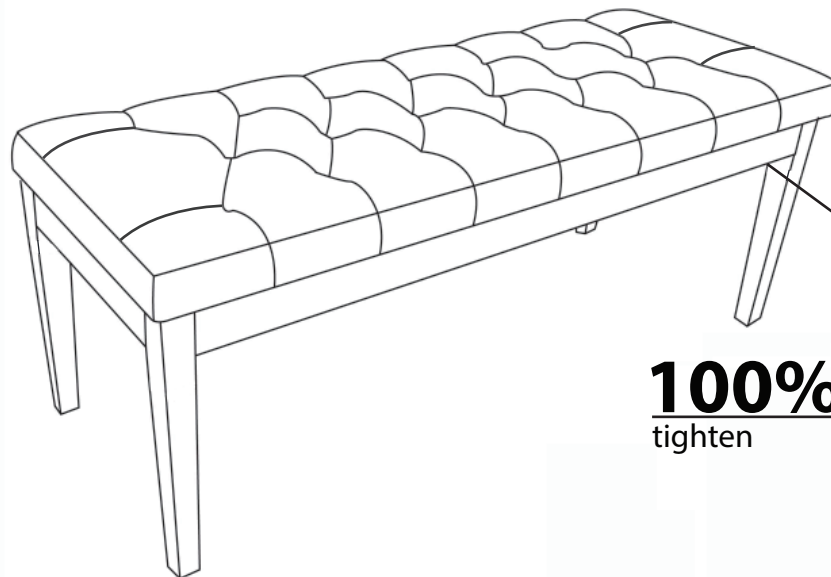
M8
E

1



90%
tighten

2



100%
tighten

x8



Do not over tighten.
 Do not use power tools to assemble.