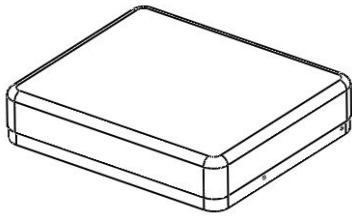


FLOAT CHAIR

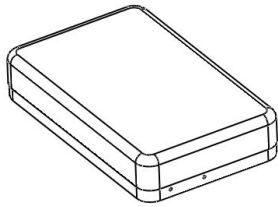
Part # CH-FLOAT

15-1202

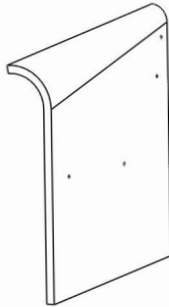
PARTS



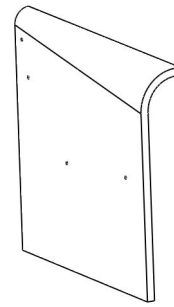
A



B



C



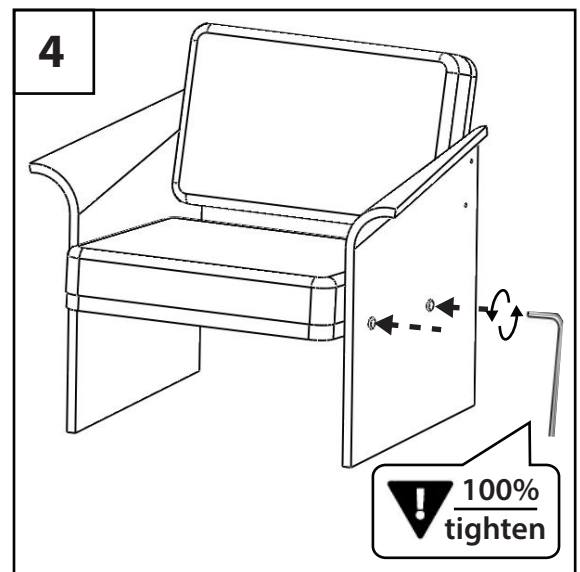
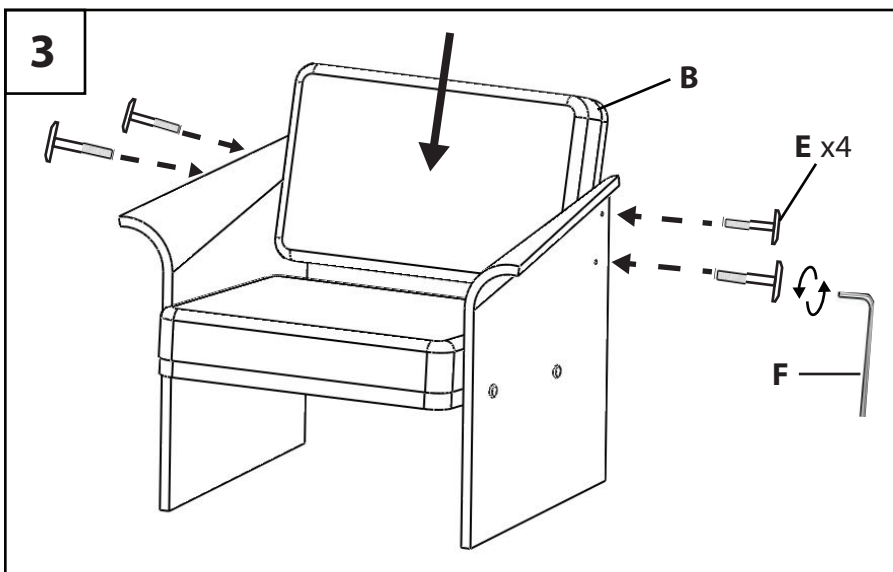
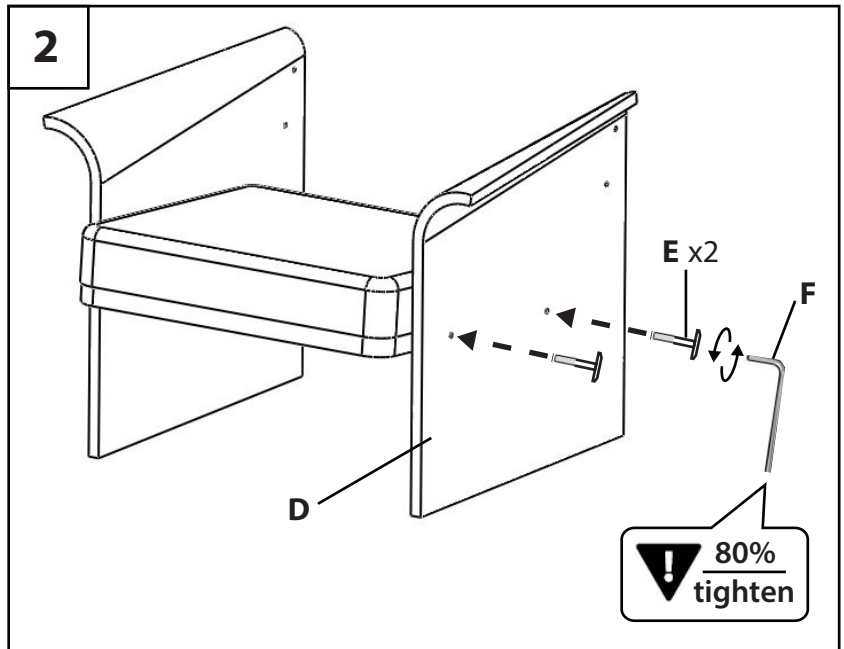
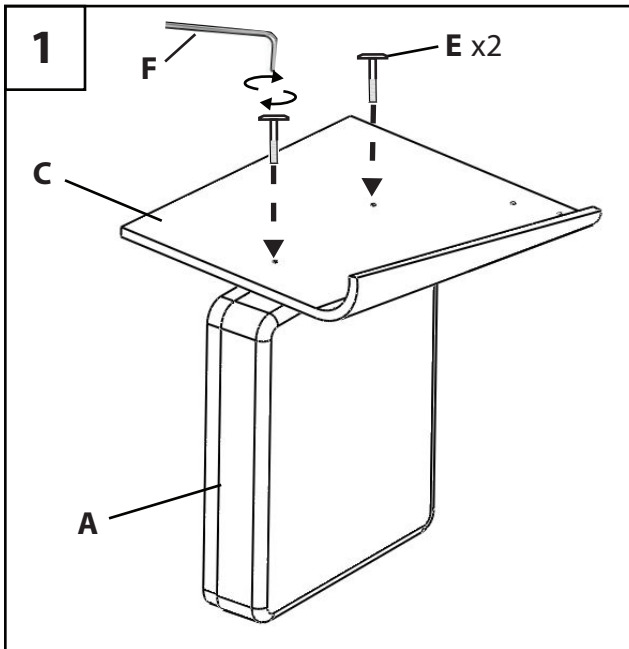
D



E x8



F



Do not over tighten.
 Do not use power tools to assemble.