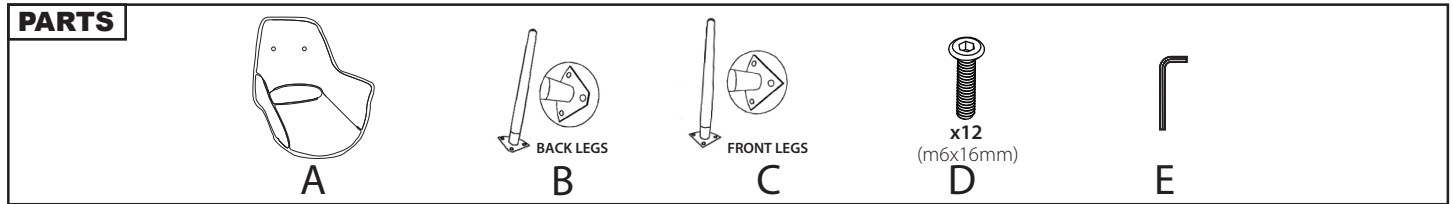


Mustang Chair

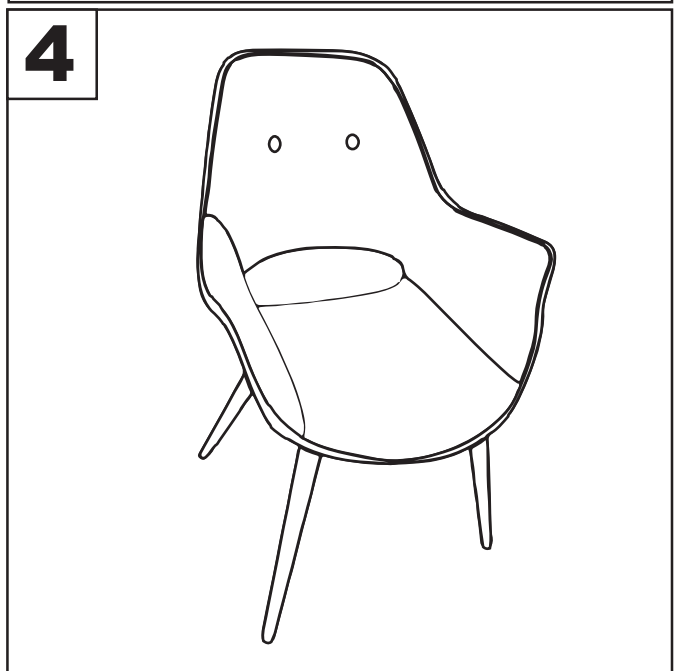
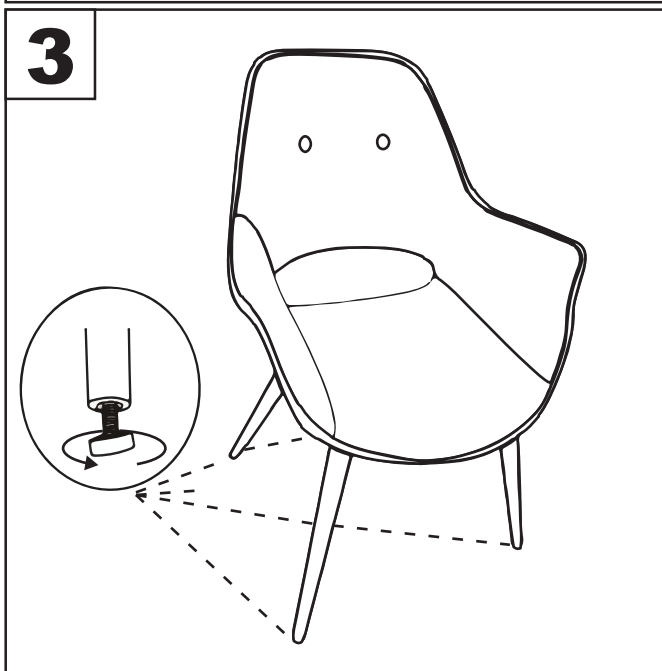
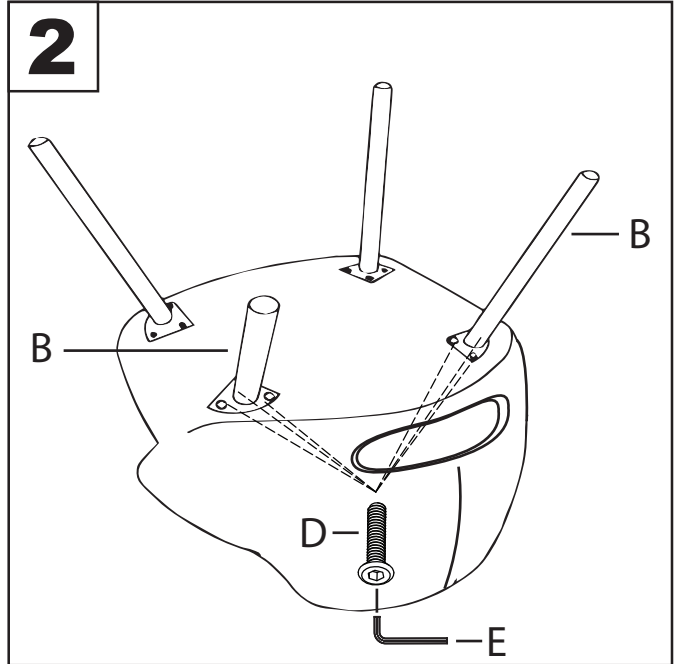
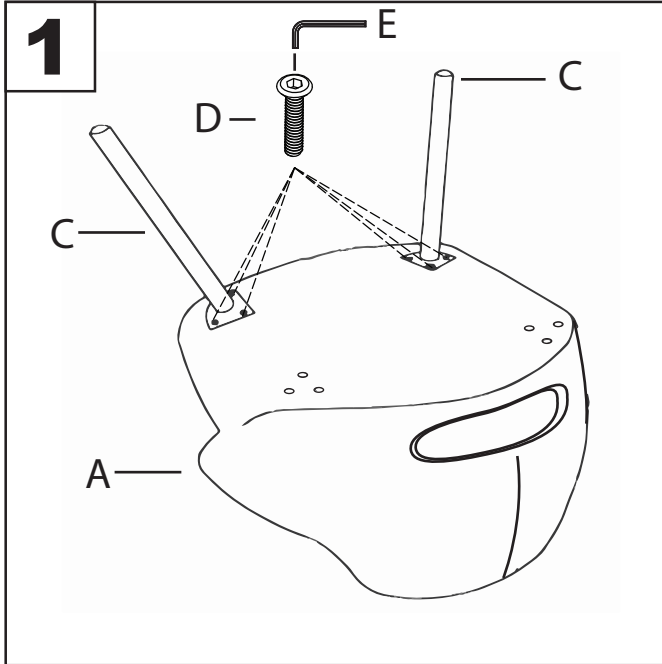
Part # CH-MSTNG XX

16-0524

PARTS



A B C D (x12 (m6x16mm)) E



Do not over tighten.
 Do not use power tools to assemble.

WARNING:

- ALL BOLTS, SCREWS, AND KNOBS MUST BE TIGHTLY SECURED, AND SHOULD BE CHECKED AT LEAST EVERY 4 MONTHS.
- IF PARTS ARE MISSING, BROKEN, DAMAGED OR WORN, THEN STOP USING THE PRODUCT UNTIL REPAIRS ARE MADE USING FACTORY AUTHORIZED PARTS.