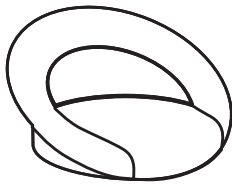


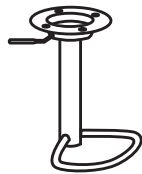
Part # BS-MET XX+XX

20-0319

## PARTS



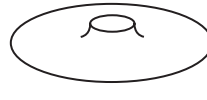
A



B



C



D

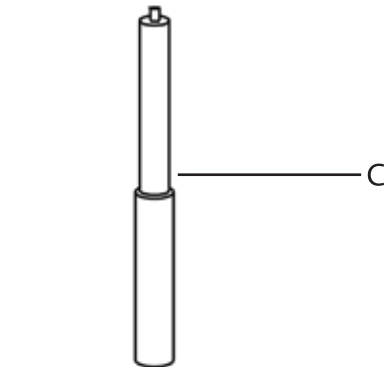
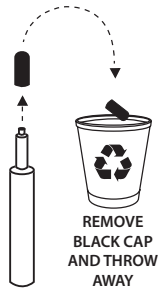
x4  
(M6x16mm)

E

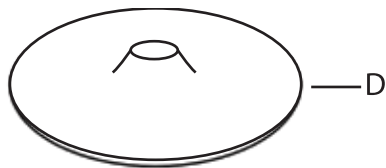


F

1

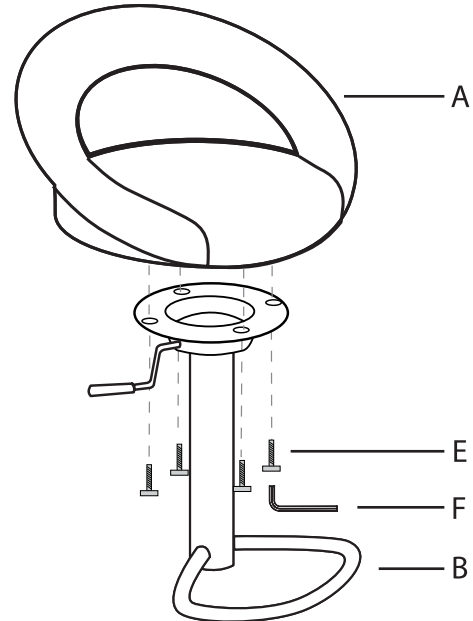


C



D

2



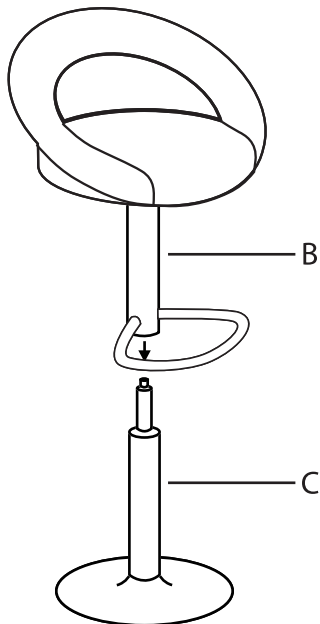
A

E

F

B

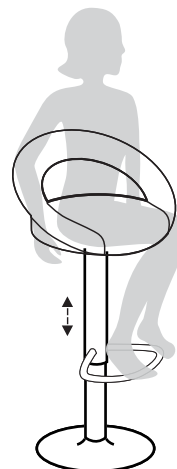
3



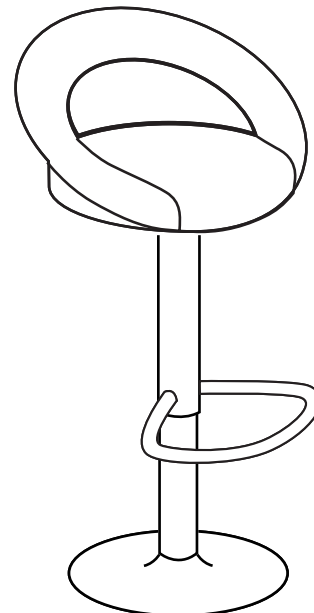
B

C

4



SIT TO SECURE



Do not over tighten.

Do not use power tools to assemble.

## WARNING:

- DO NOT STAND ON OR USE THIS STOOL AS A STEP LADDER.
- THIS STOOL IS MEANT TO SEAT ONLY ONE PERSON AT A TIME
- ALL BOLTS, SCREWS, AND KNOBS MUST BE TIGHTLY SECURED, AND SHOULD BE CHECKED AT LEAST EVERY 4 MONTHS.
- IF PARTS ARE MISSING, BROKEN, DAMAGED OR WORN, THEN STOP USING THE PRODUCT UNTIL REPAIRS ARE MADE USING FACTORY AUTHORIZED PARTS.