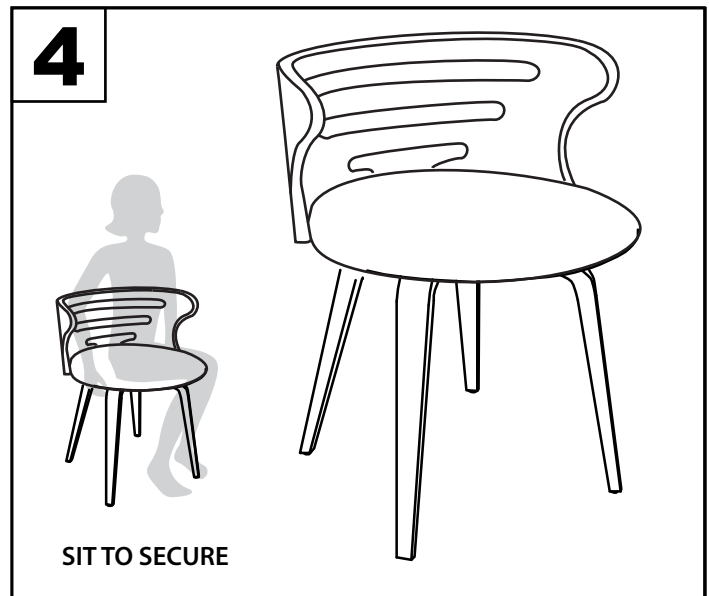
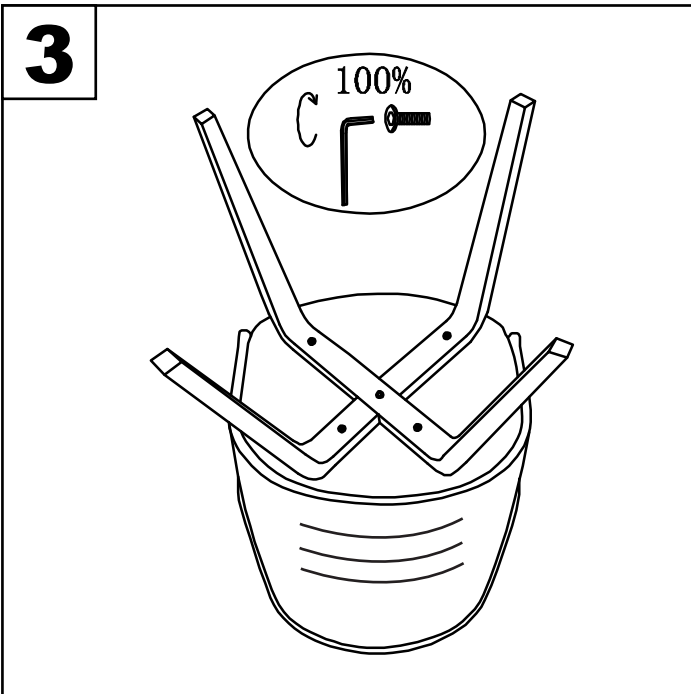
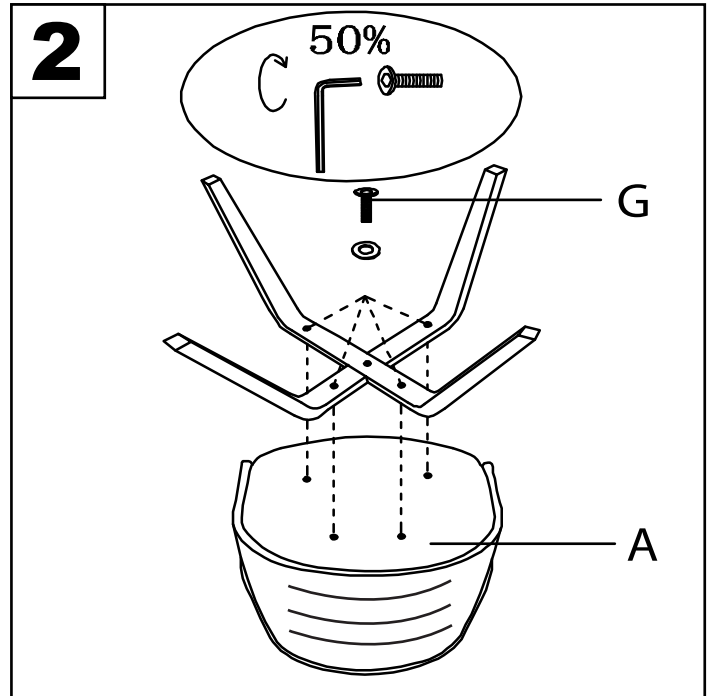
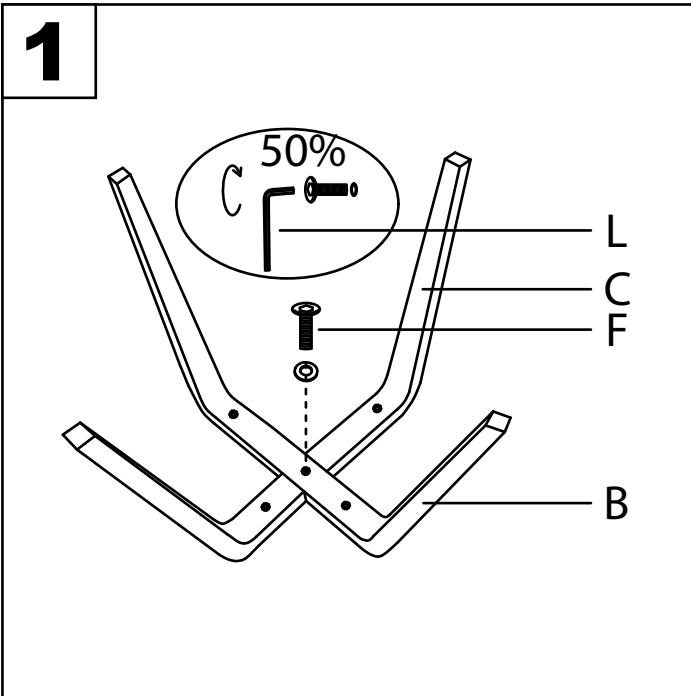
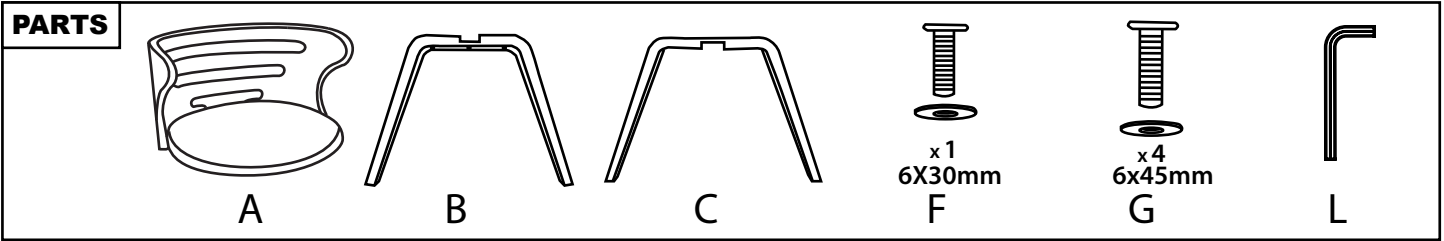


Part # CH-COSI XX +XX

19 0211



Do not over tighten.
 Do not use power tools to assemble.