

Santiago Dining Chair

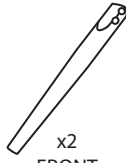
Part # DC-SNTGO XX+XX

17-0308

PARTS

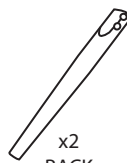


A



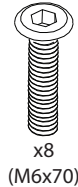
x2
FRONT

B



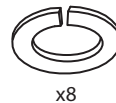
x2
BACK

C



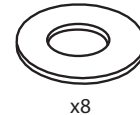
x8
(M6x70)

D



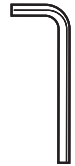
x8

E



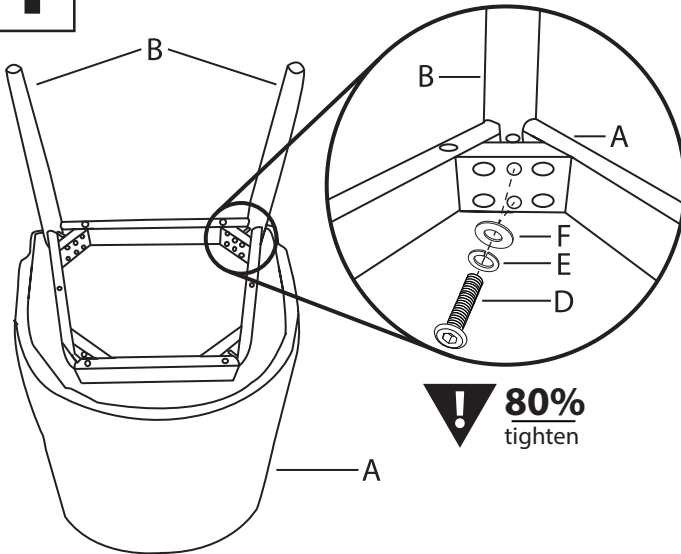
x8

F



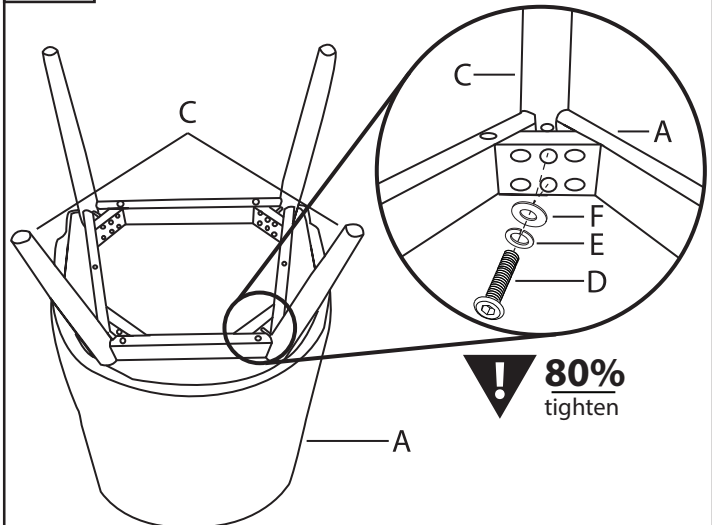
G

1



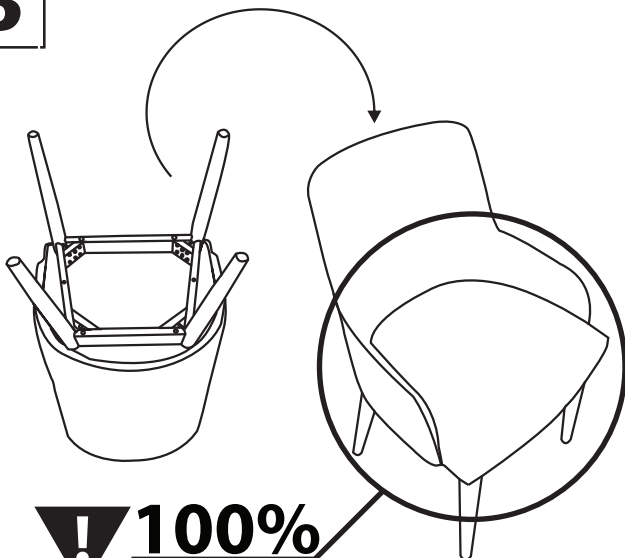
! 80%
tighten

2



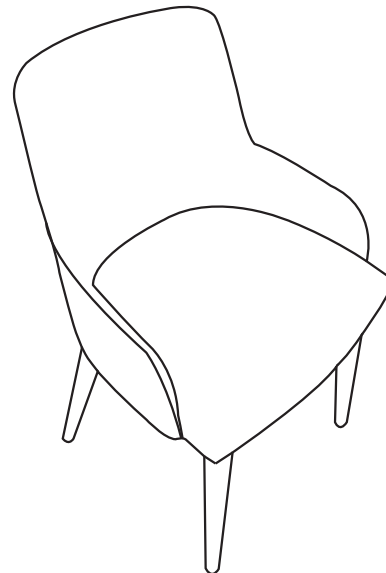
! 80%
tighten

3



! 100%
tighten

4



Do not over tighten.
 Do not use power tools to assemble.