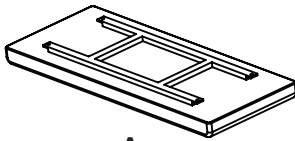


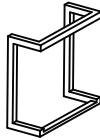
Part # BC-MDAS XX+XX

17-0510

PARTS



A



x2

B



x4
(M6x35)

C



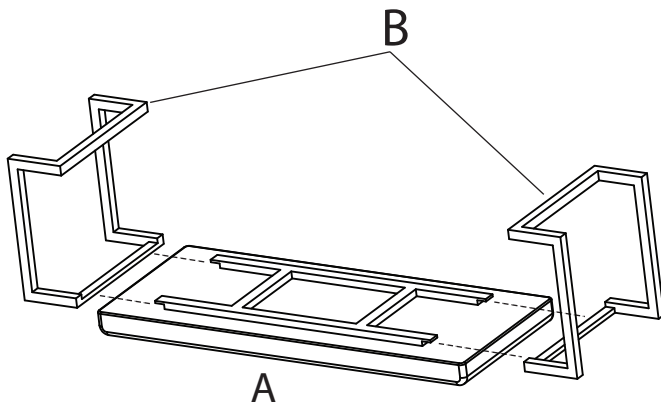
x4

D

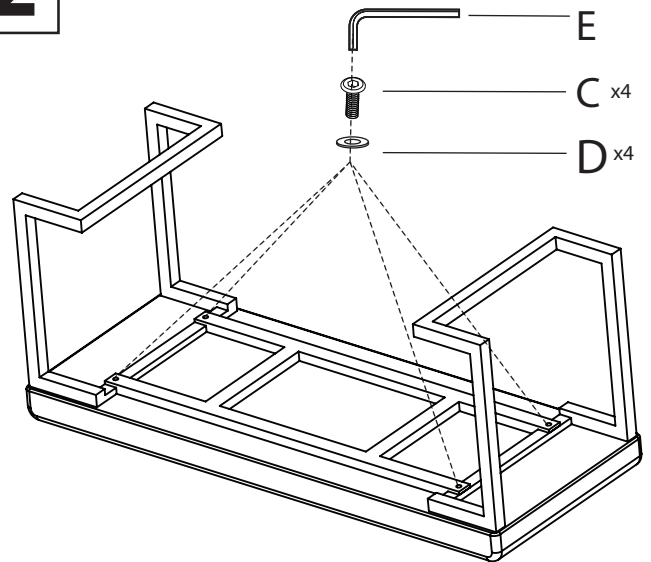


E

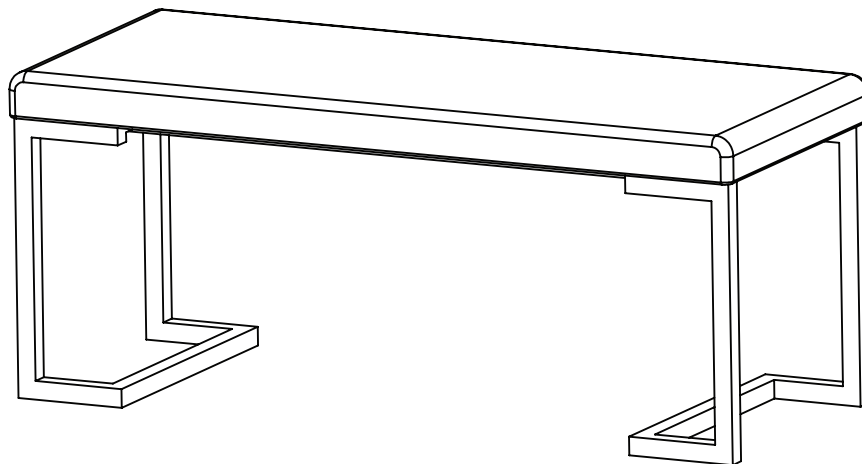
1



2



3



Do not over tighten.
 Do not use power tools to assemble.