

# Canary Dining Chair

Part # DC-CNRY XX+XX

170510

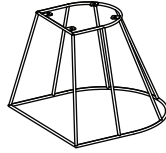
**PARTS**



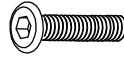
A



B



C



x4  
(M6x25mm)

D



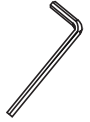
x4  
(M6x16mm)

E



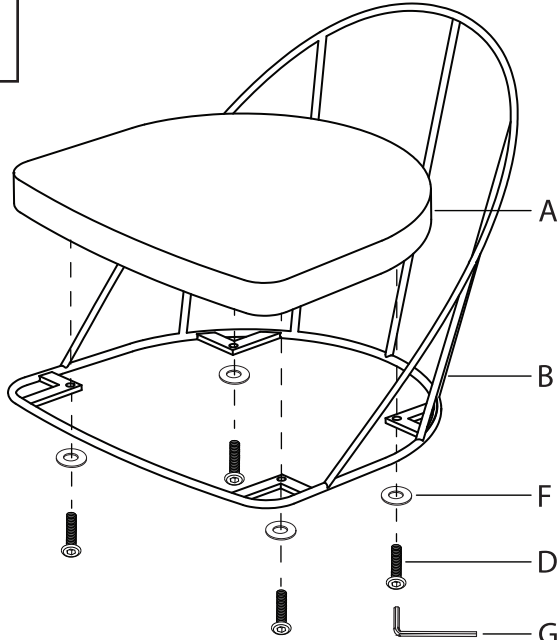
x8

F

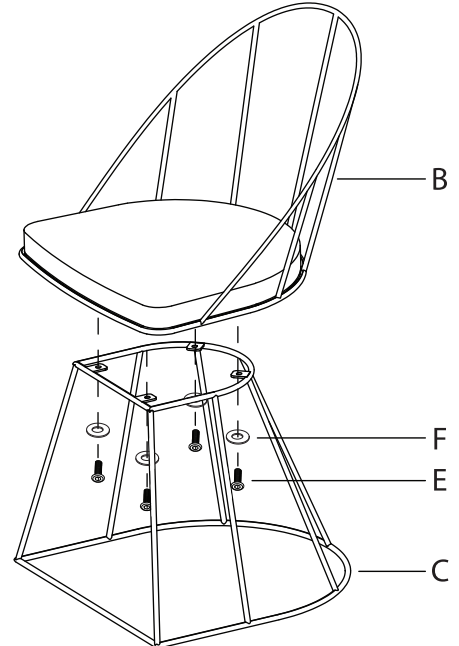


G

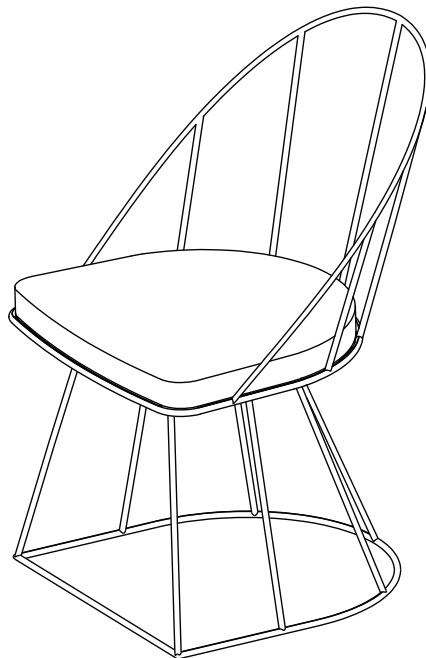
**1**



**2**



**3**



Do not over tighten.  
 Do not use power tools to assemble.