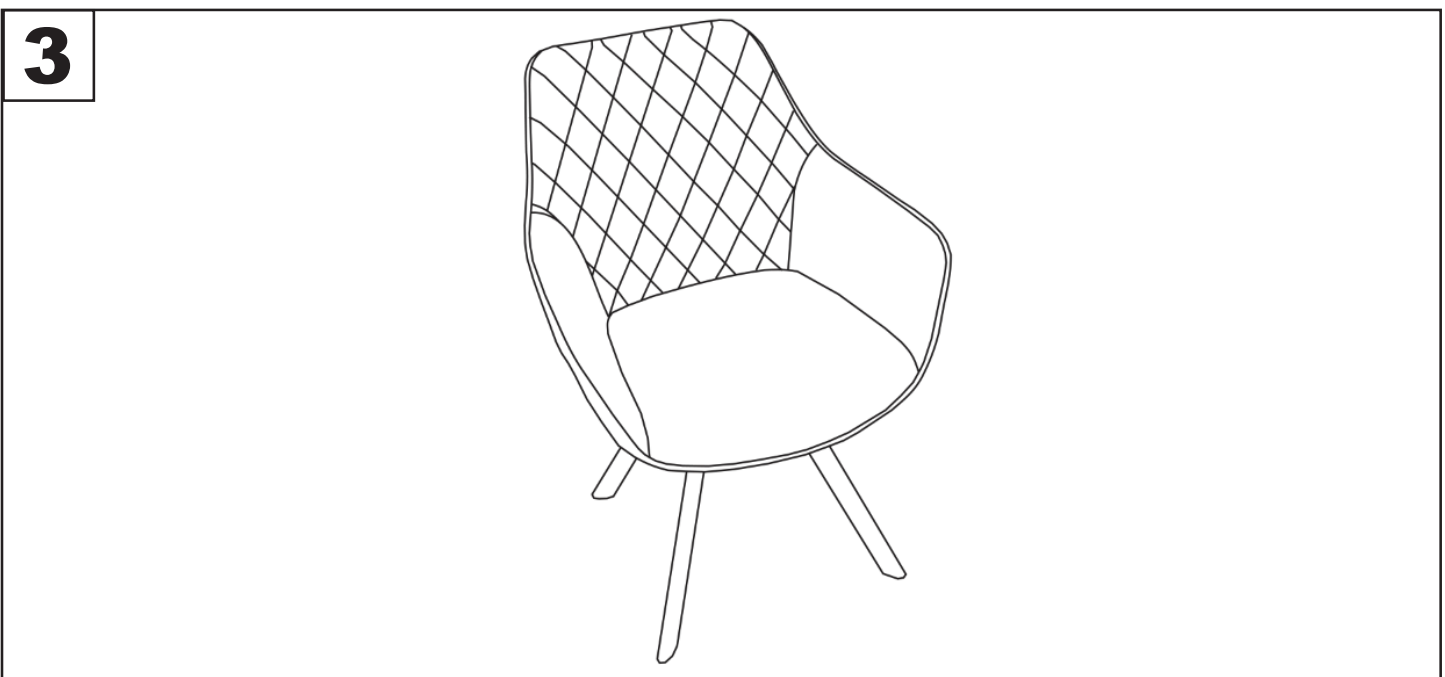
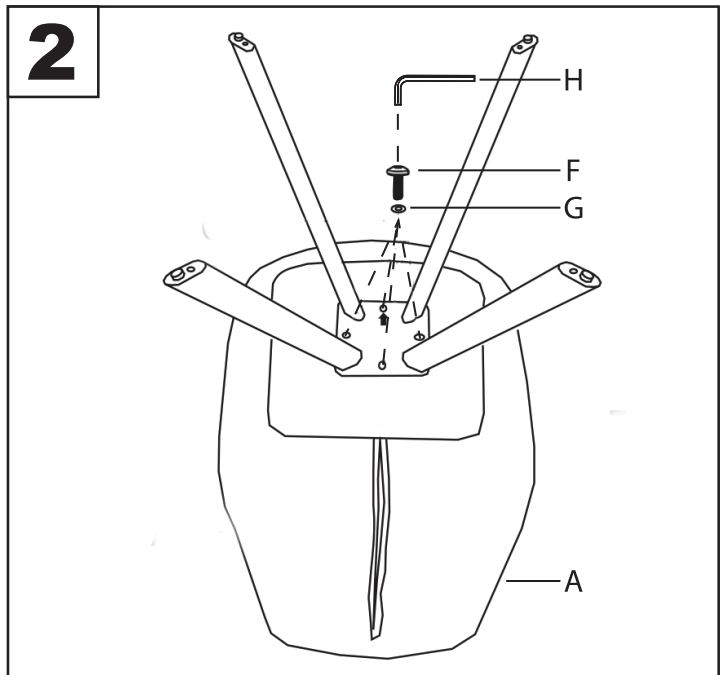
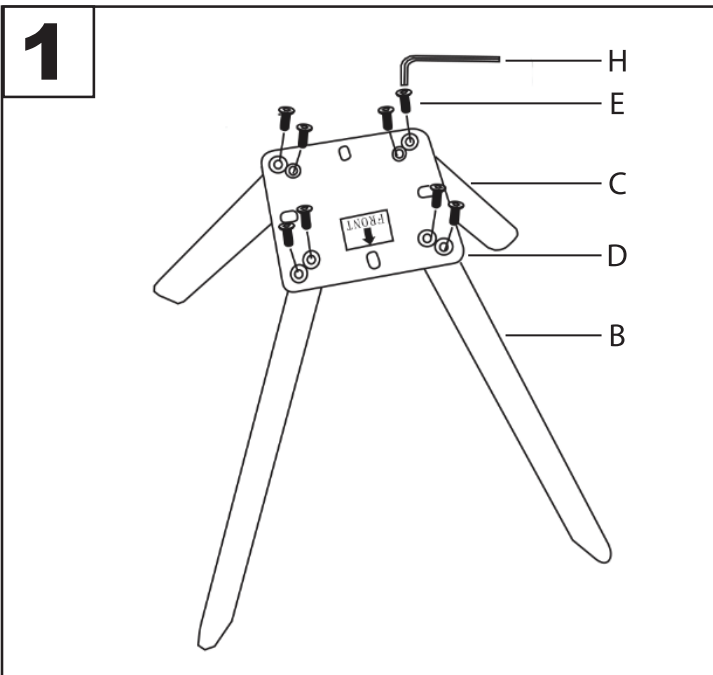
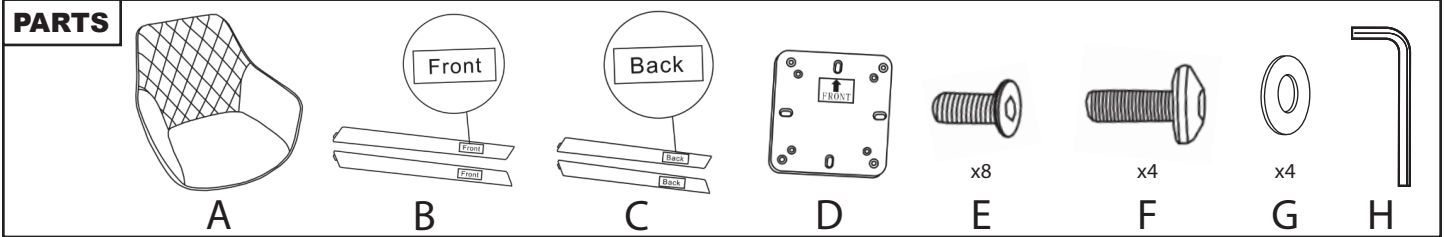


# Outlaw Chair

Part # CH-OUTLW XX+XX

16-1228



Do not over tighten.  
 Do not use power tools to assemble.