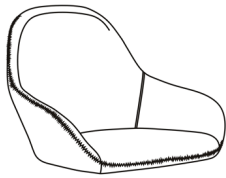


Clubhouse Dining Chair

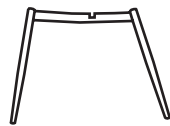
Part # DC-CLB XX+XX

17-0525

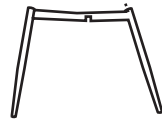
PARTS



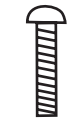
A



B



C

x1
(M6x30)

D

x4
(M6x50)

E



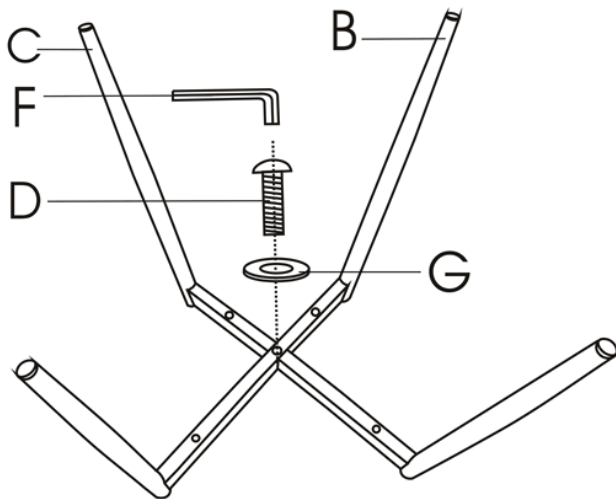
F



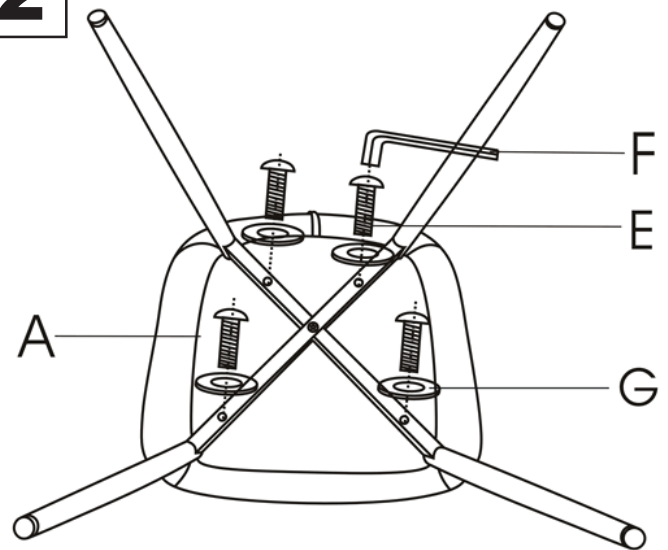
x5

G

1



2



3



Do not over tighten.
Do not use power tools to assemble.