

Part # B26-SDNA XX+XX

20-0320

PARTS

A



B



C

x8
(M6x16mm)

D

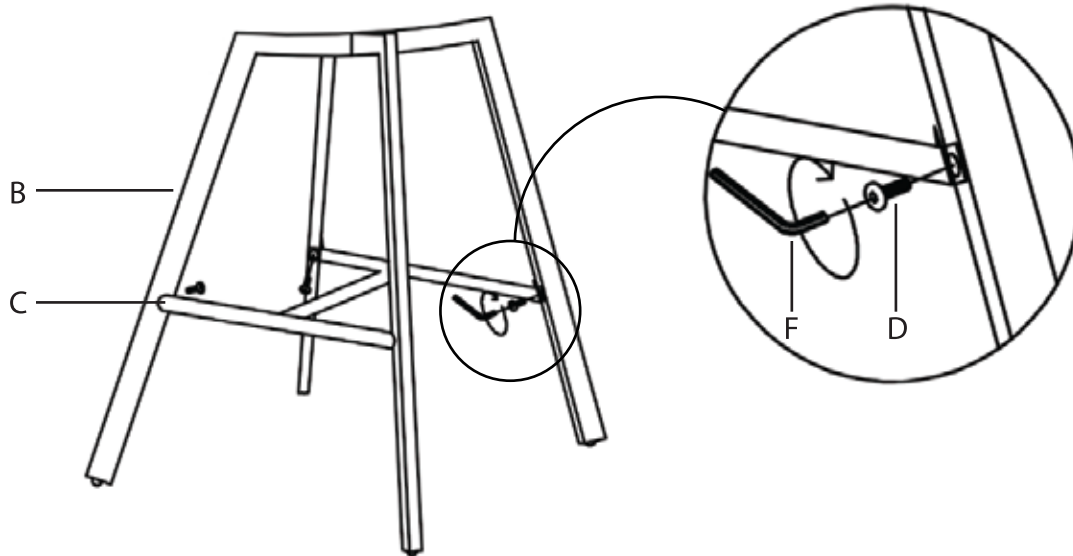
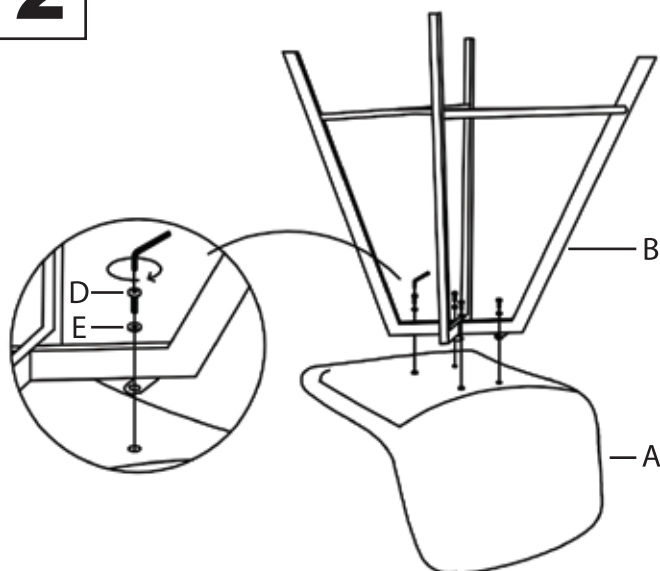
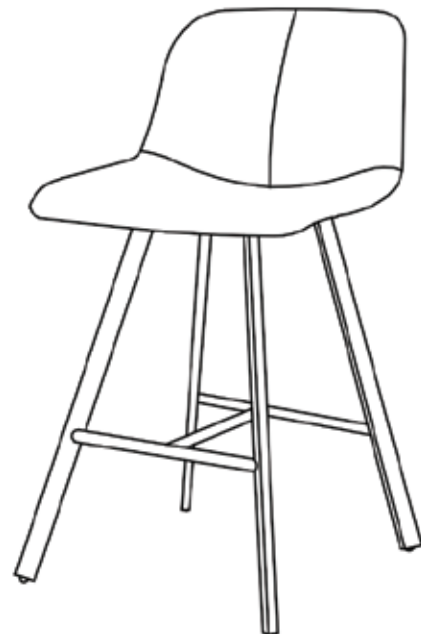


x4

E



F

1**2****3**

Do not over tighten.
Do not use power tools to assemble.