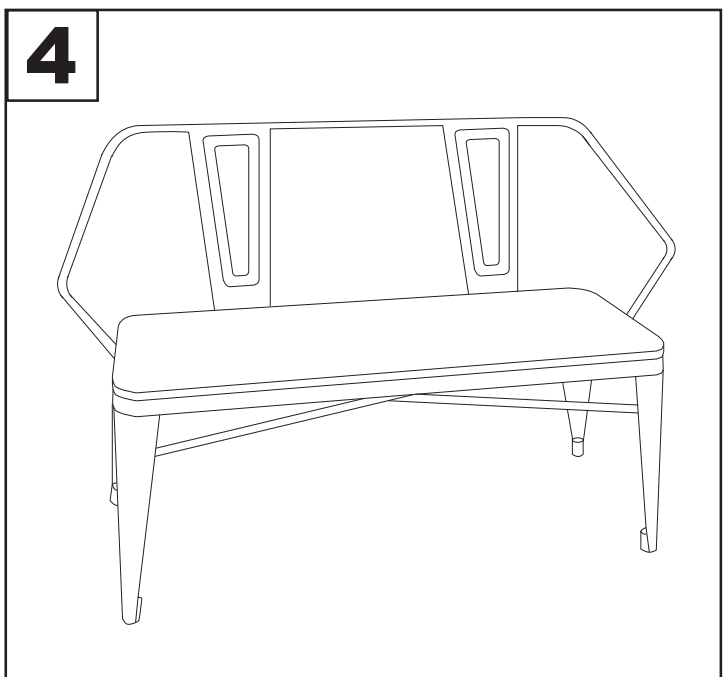
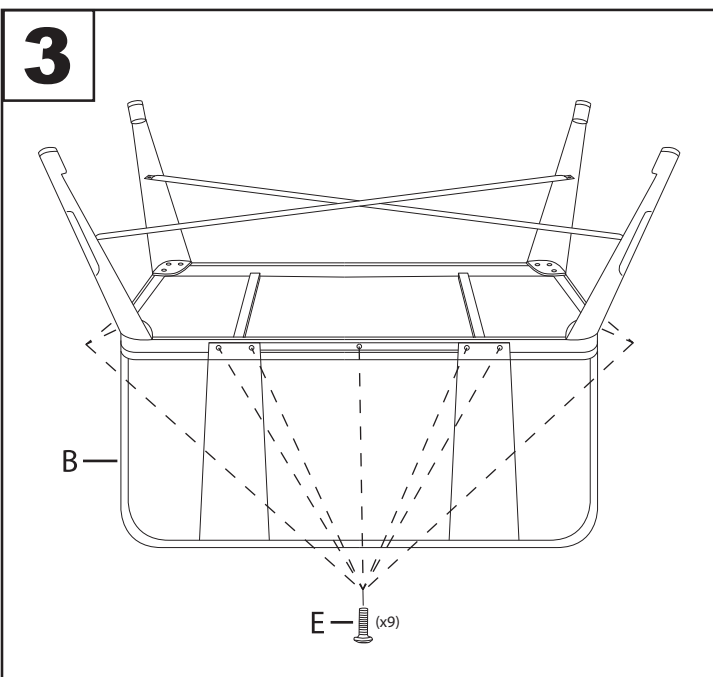
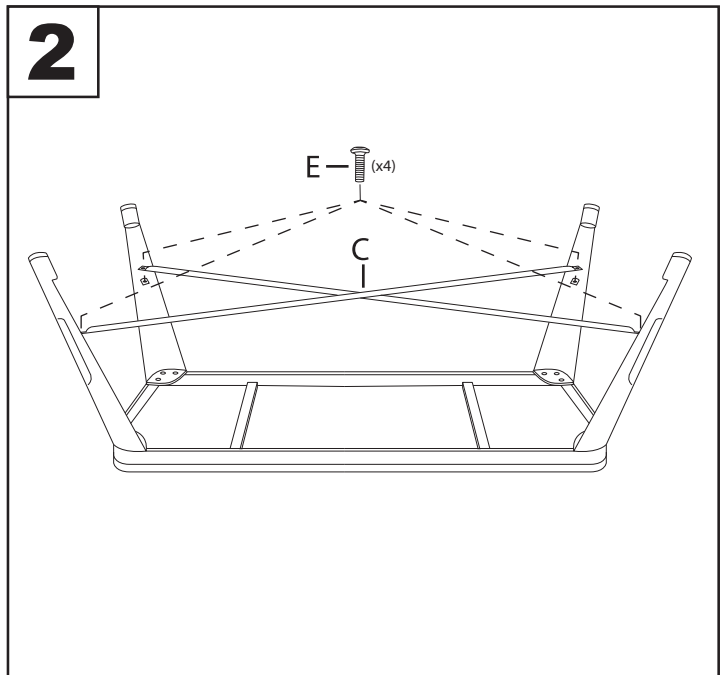
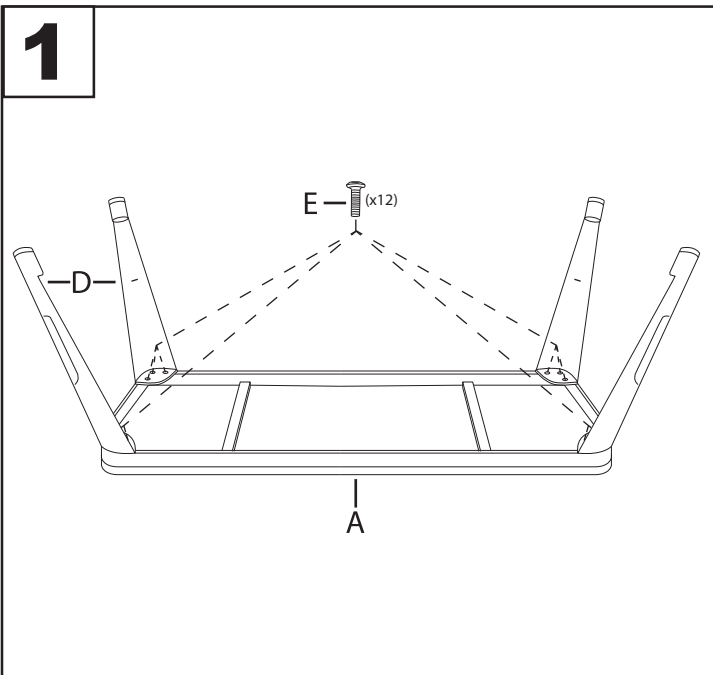
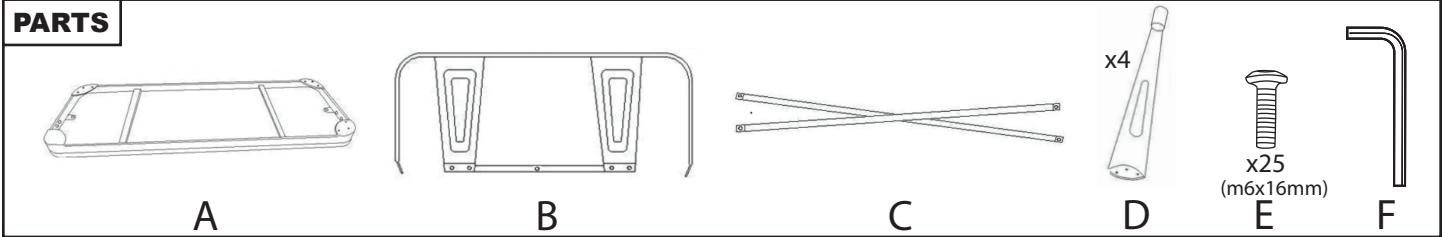


Part # BC-WCO XX+XX

19-0115

**PARTS**



Do not over tighten.  
Do not use power tools to assemble.