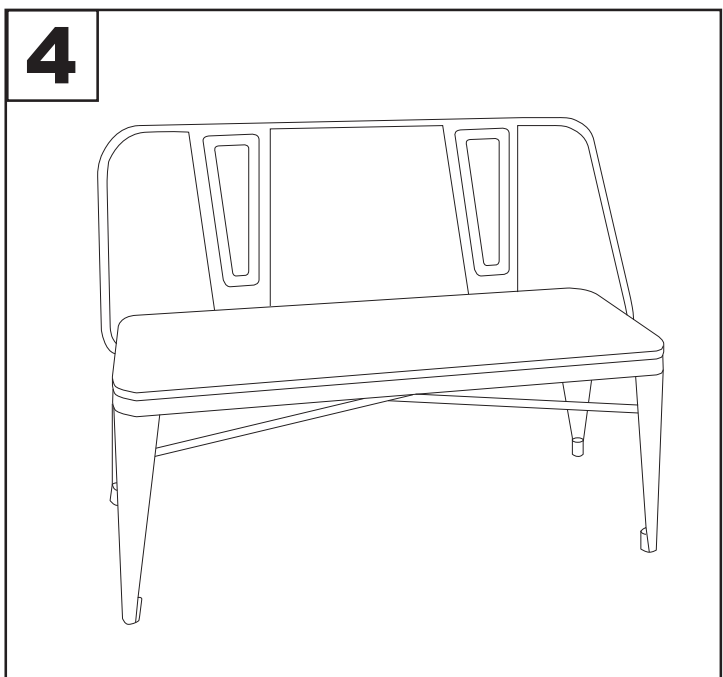
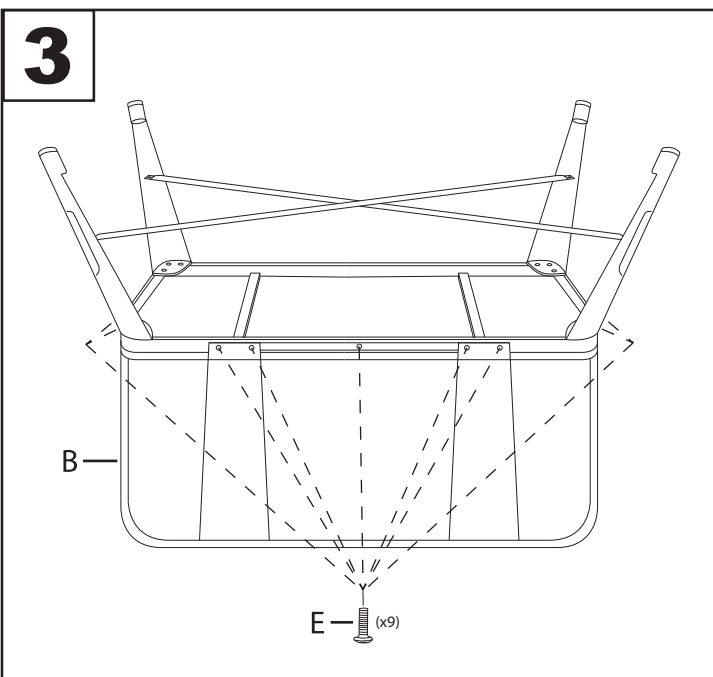
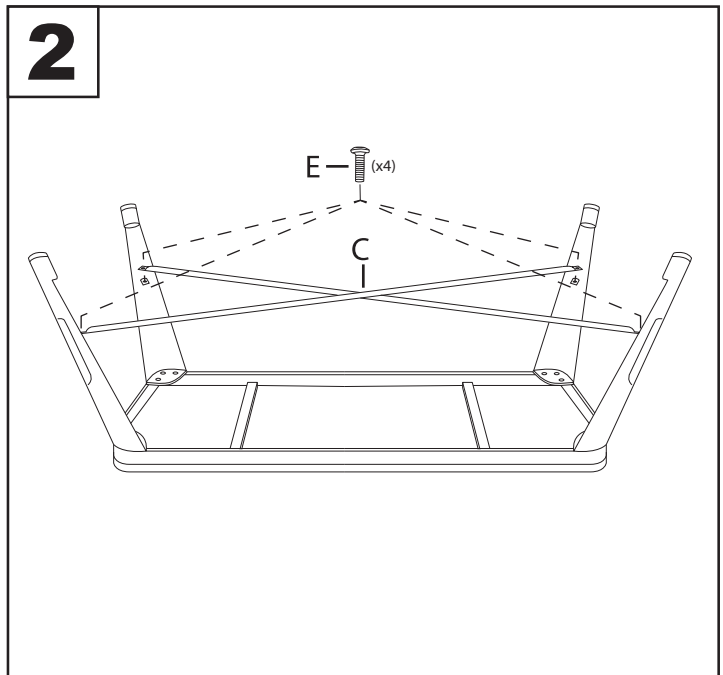
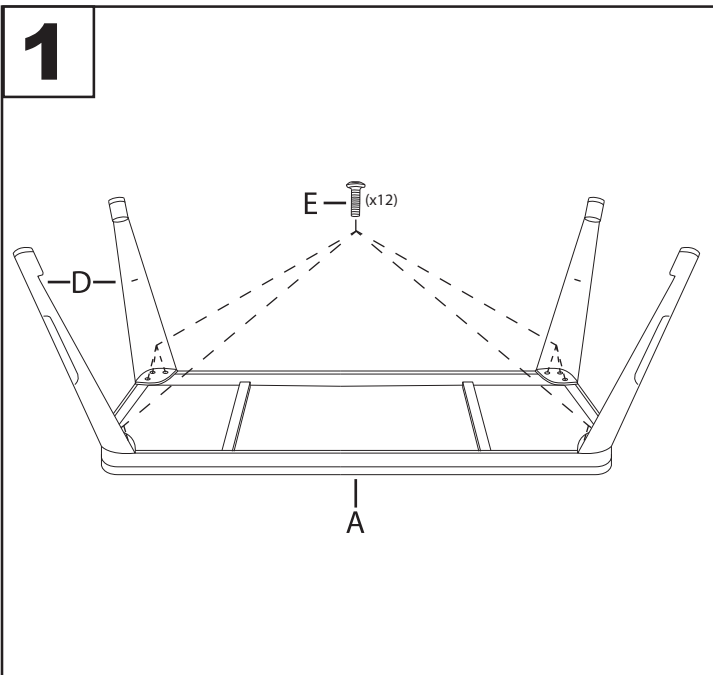
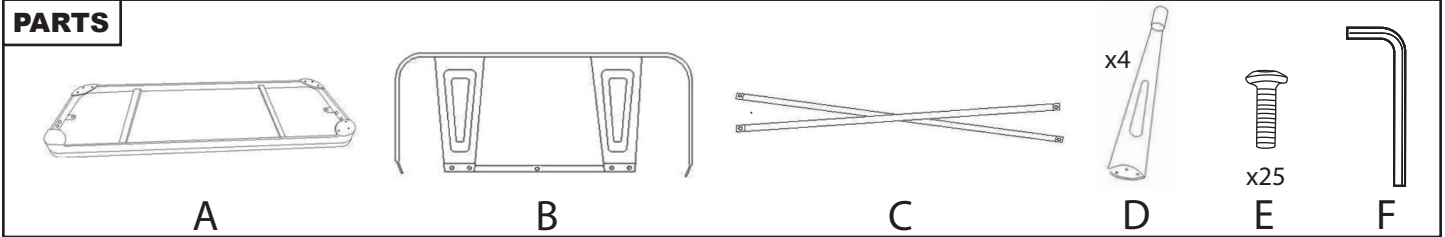


# Oregon Bench

Part # BC-OR XX+XX

18-0404

**PARTS**



Do not over tighten.  
Do not use power tools to assemble.