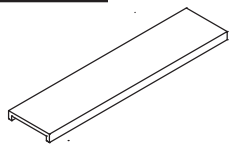


# Java Bench

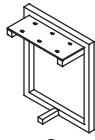
Part # BC-JAVA XX+XX

18-0115

**PARTS**



A



x2  
B



C



(M8x20)  
x14  
D

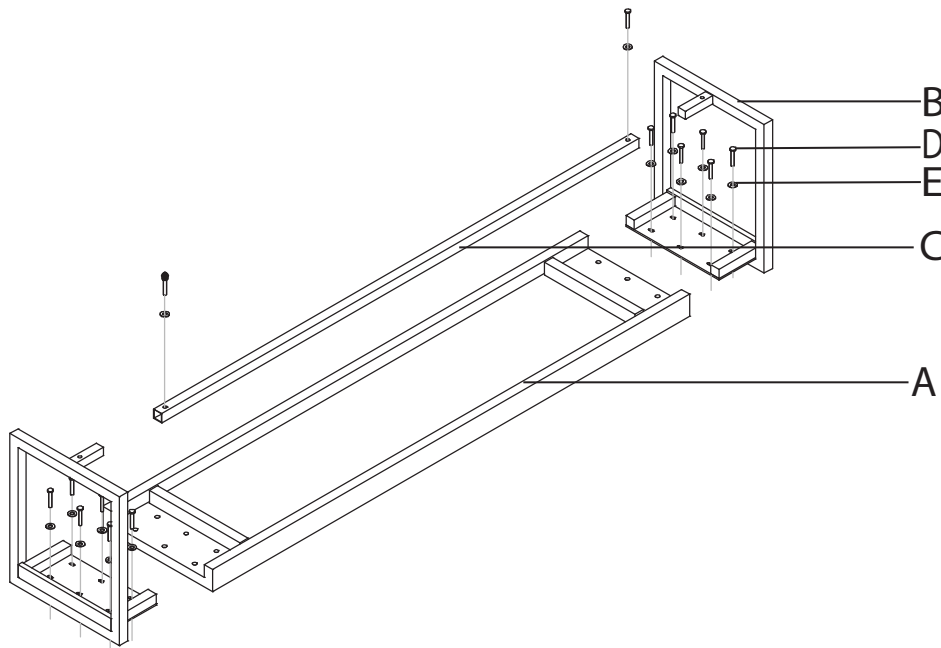


x14  
E



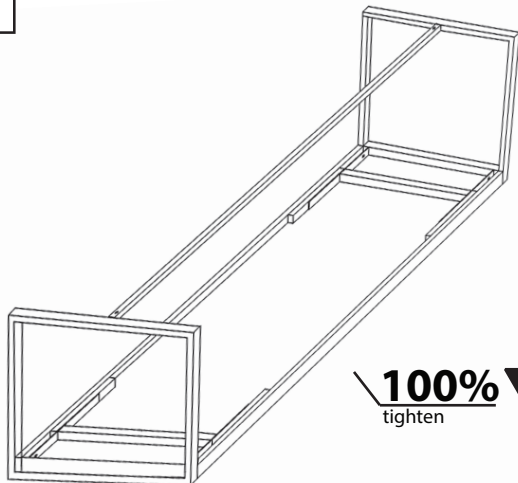
F

**1**



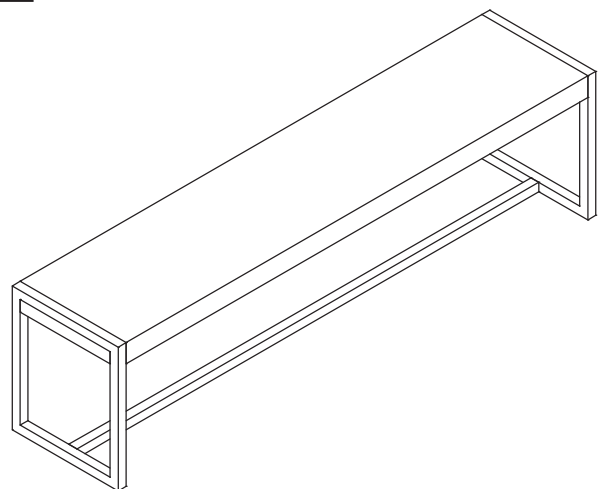
**!** 80%  
tighten

**2**



**!** 100%  
tighten

**3**



Do not over tighten.  
 Do not use power tools to assemble.