

FOLIA DINING TABLE

Part # DT-FOLIA6338 XX

18-0702

PARTS

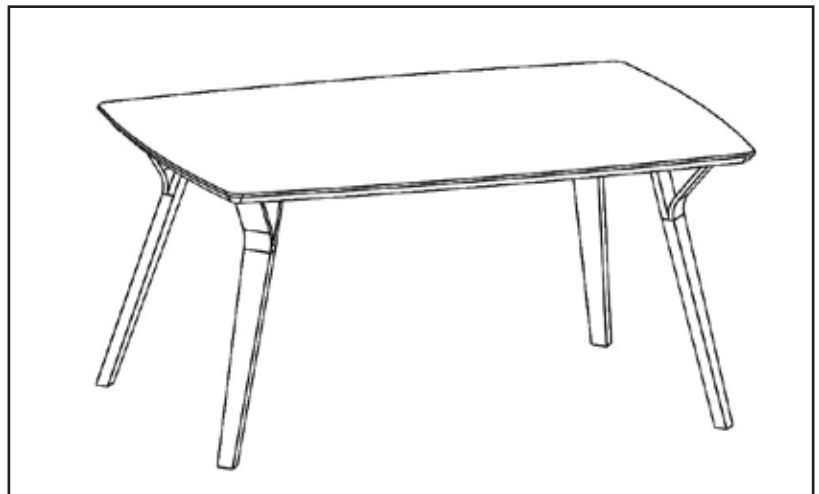
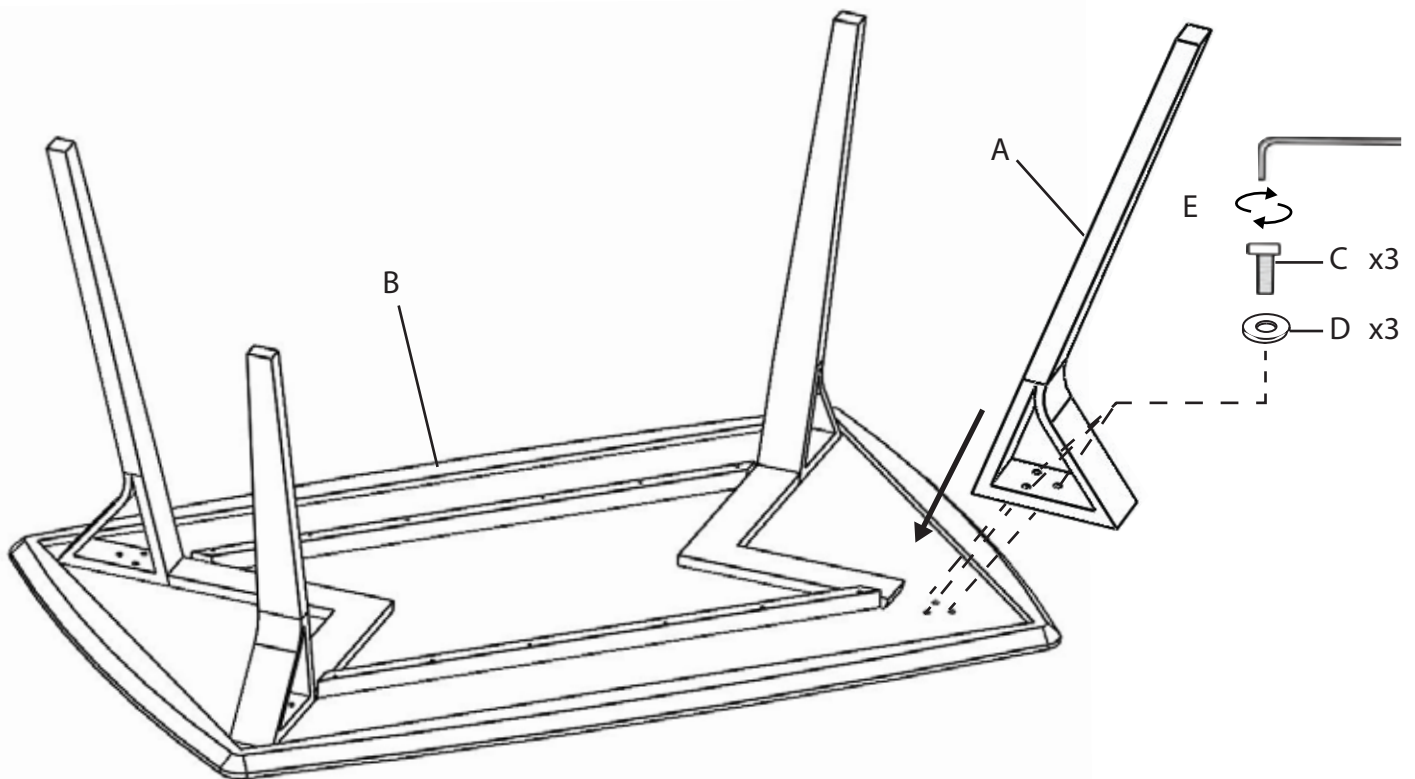
A x4

B

C M6 25mm x12

D x12

E



Do not over tighten.
 Do not use power tools to assemble.