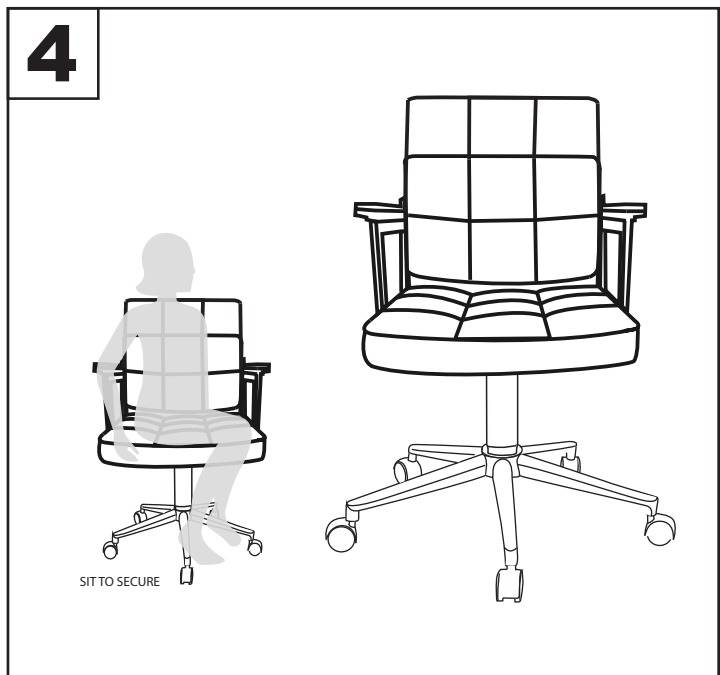
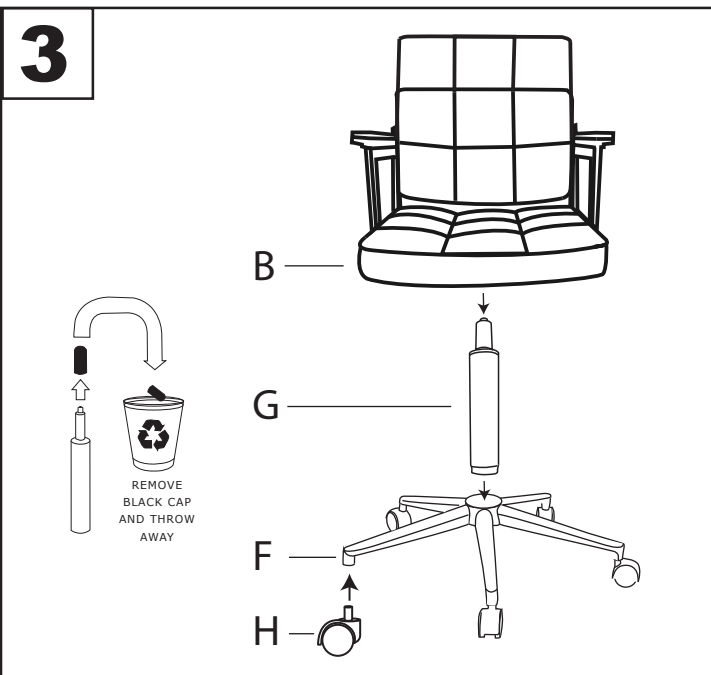
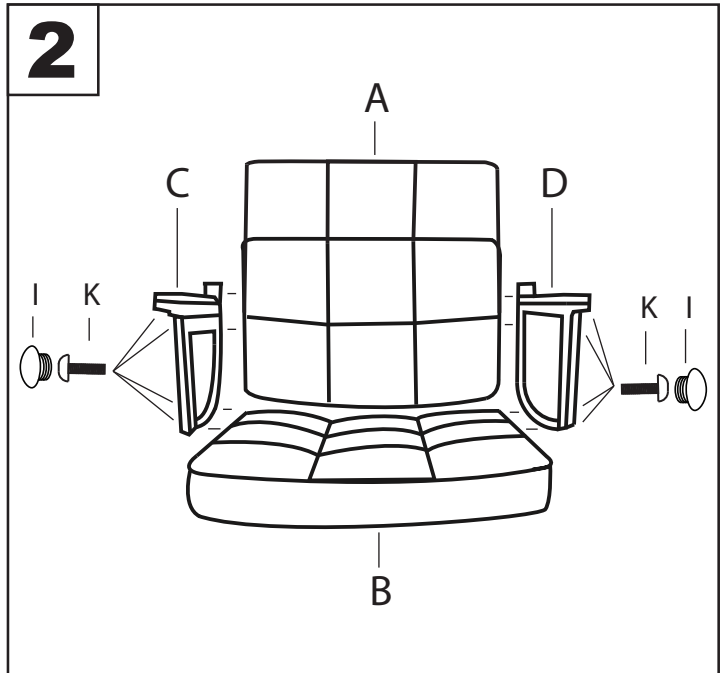
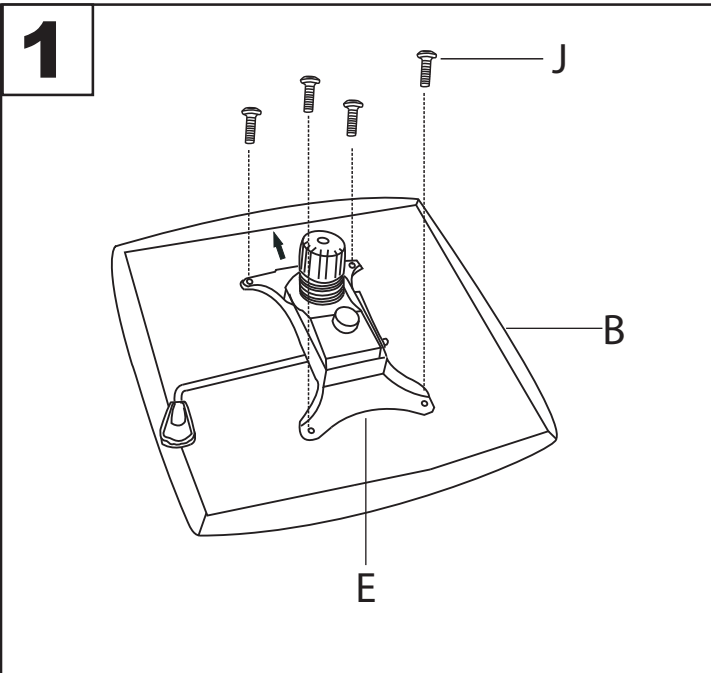
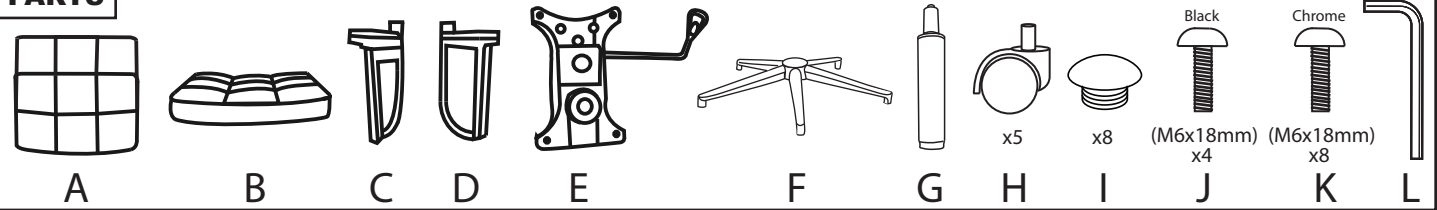


Part # OC-BUREAU XX

18-0102

PARTS



Do not over tighten.
Do not use power tools to assemble.