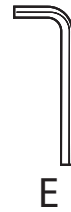
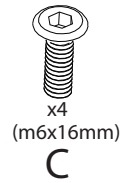
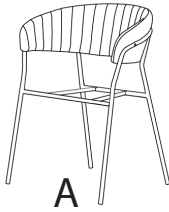


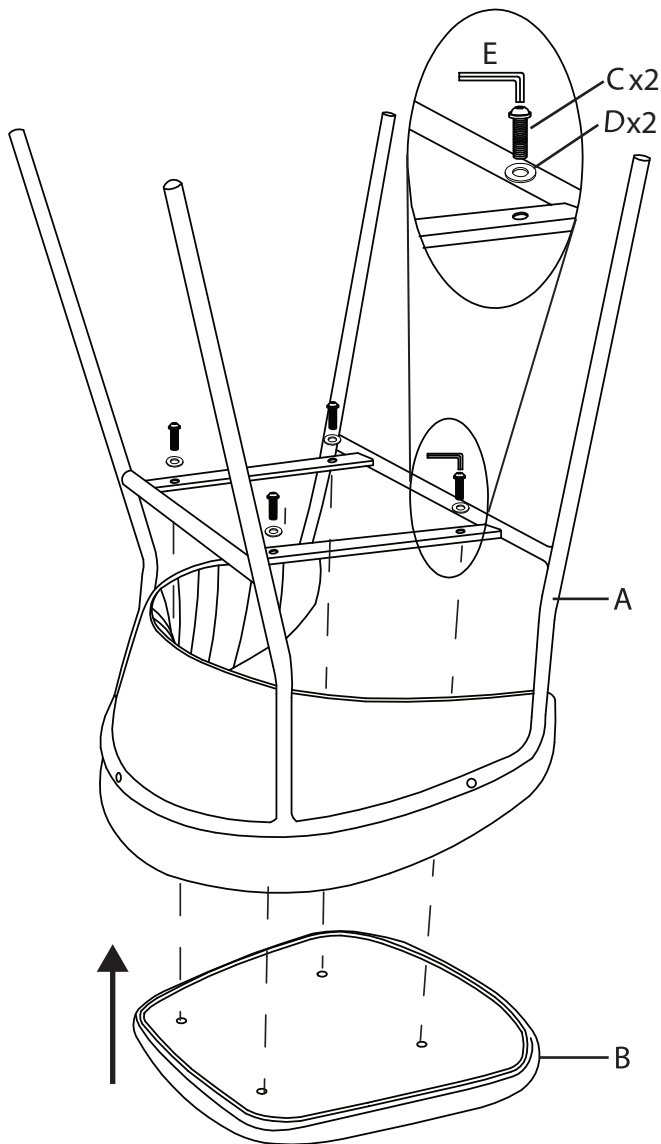
Part # CH-TANIA XX+XX

18-1129

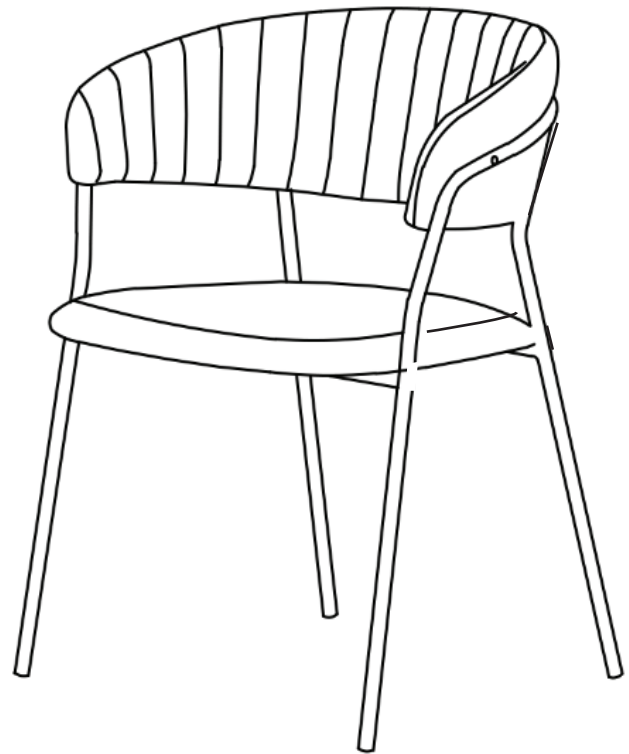
## PARTS



1



2



Do not over tighten.  
Do not use power tools to assemble.