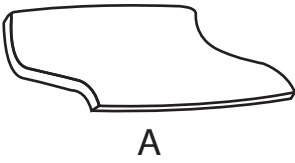


Part # BS-TW-ALE XX

20-0319

PARTS



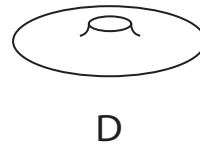
A



B



C



D

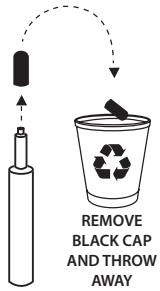


x4
(M6x16mm)
E

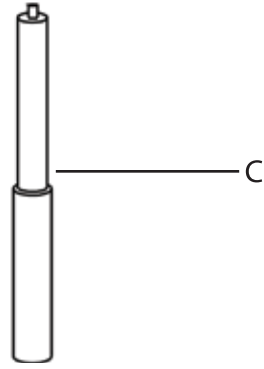


F

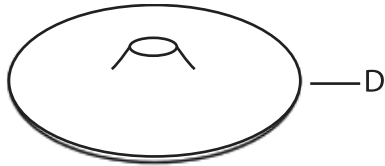
1



REMOVE
BLACK CAP
AND THROW
AWAY

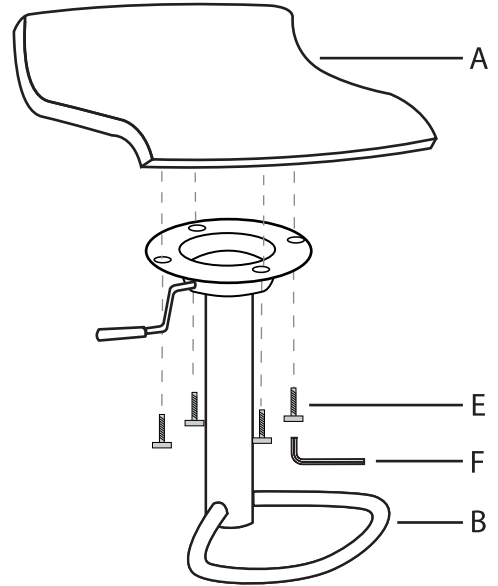


C



D

2



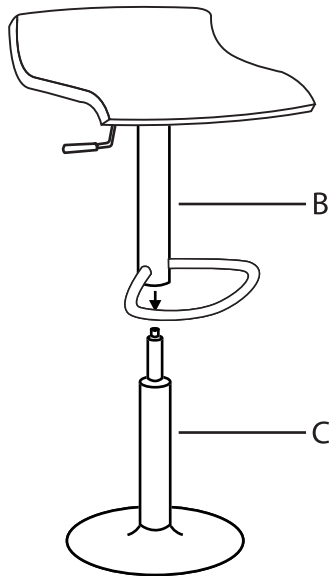
A

E

F

B

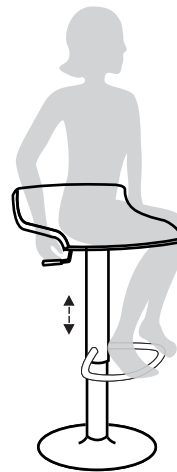
3



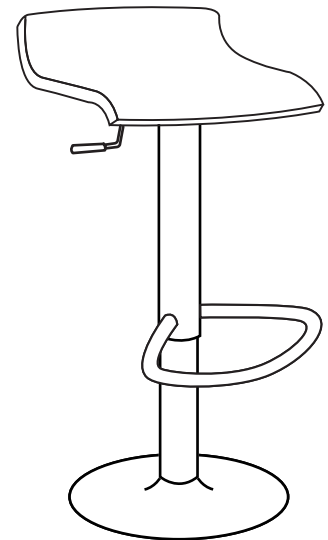
B

C

4



SIT TO SECURE



Do not over tighten.
Do not use power tools to assemble.