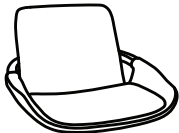


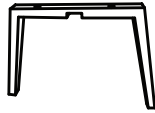
Part # CH-COSMO XX+XX

18-0514

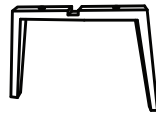
**PARTS**



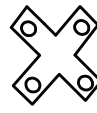
A



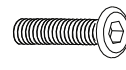
B



C



D



(M6x50mm)  
x4  
E

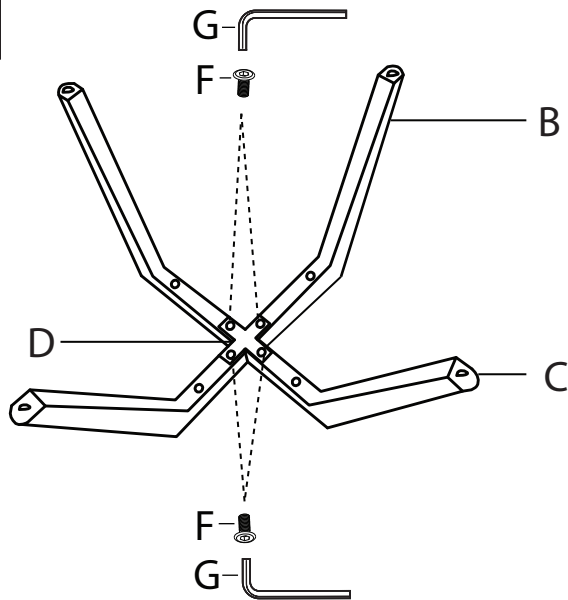


(M6x15mm)  
x4  
F

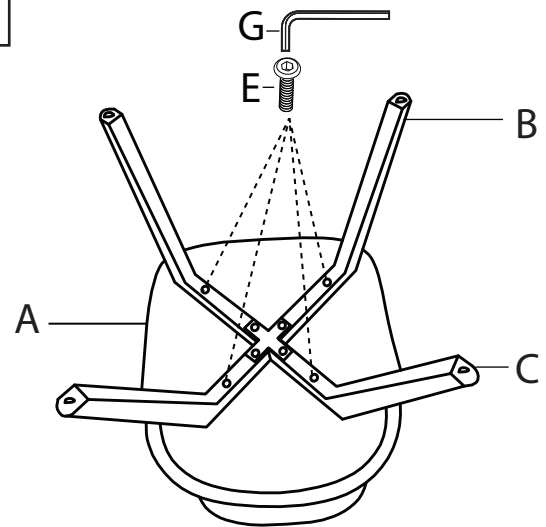


(M6)  
G

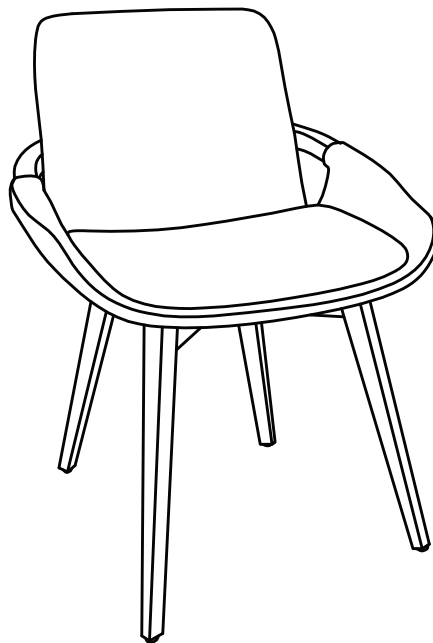
**1**



**2**



**3**



Do not over tighten.  
 Do not use power tools to assemble.