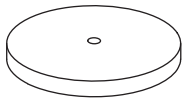


# Chloe Vanity Stool

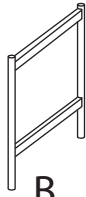
Part # B17-CHLOE-XX+XX

17-0901

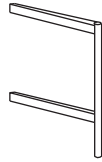
**PARTS**



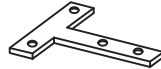
A



B



C



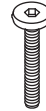
x2

D



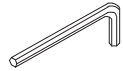
x8

E



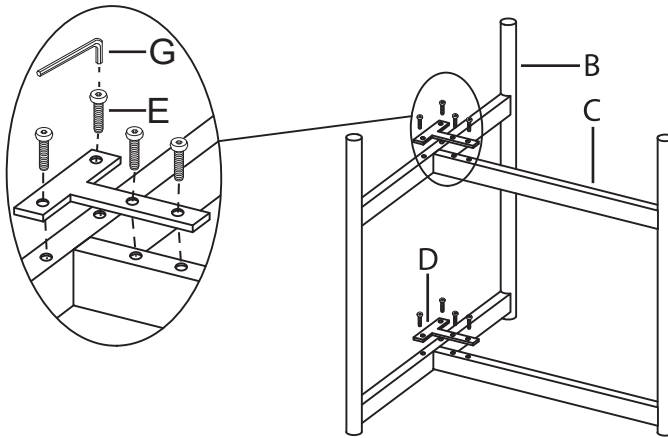
x3

F



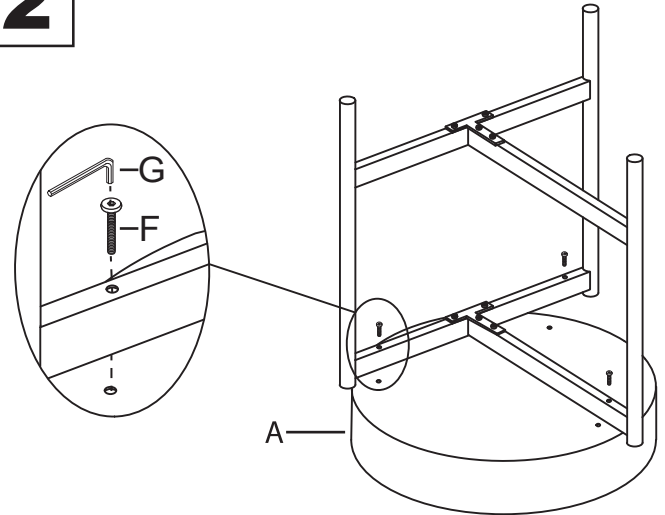
G

**1**



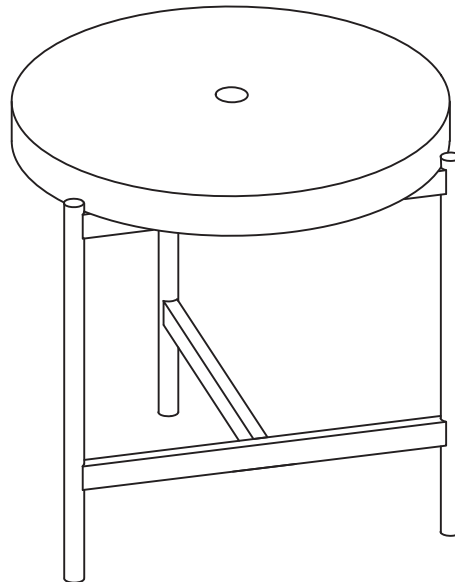
**!** **80%**  
tighten

**2**



**!** **100%**  
tighten

**3**



Do not over tighten.  
 Do not use power tools to assemble.