

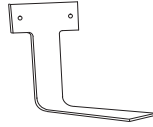
Part # B26-NUNZIO XX+XX

18-0724

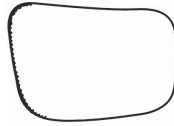
PARTS



A



B



C



D



x2

E M6 18mm



x3

G M6 20mm



x2

F M6 25mm



x4

H M8 12mm



x4

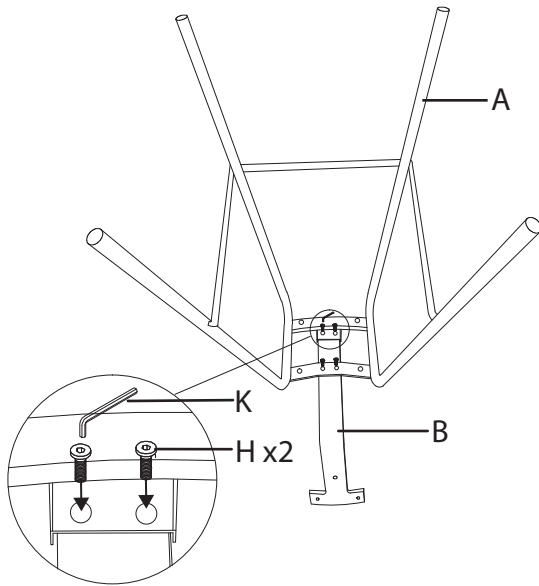
I



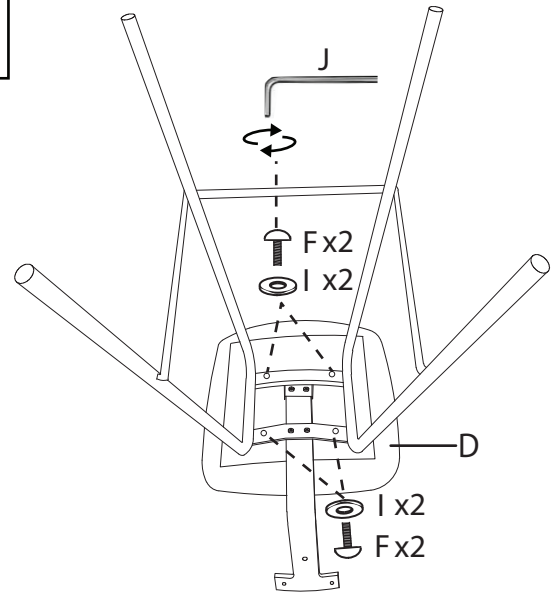
J

K

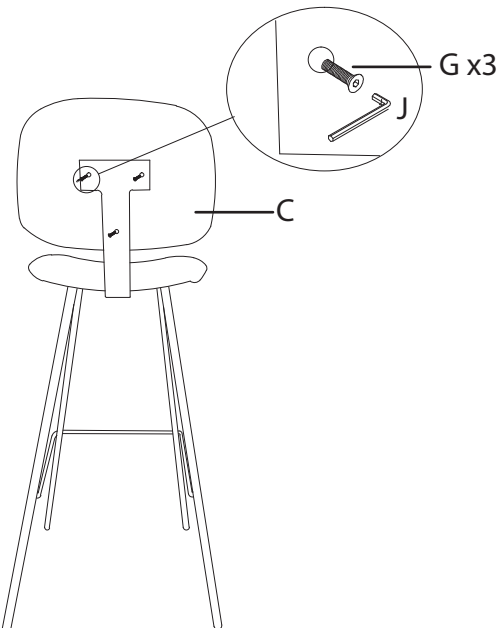
1



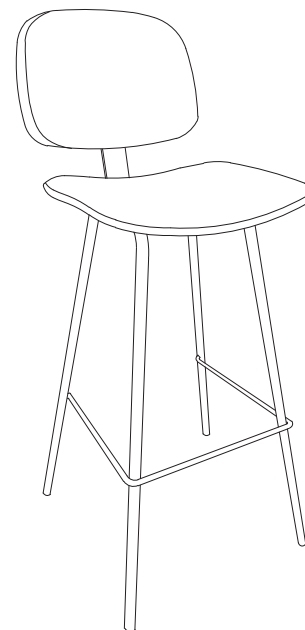
2



3



4



Do not over tighten.
 Do not use power tools to assemble.