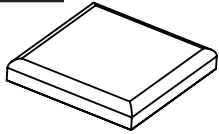


Midas Counter Stool

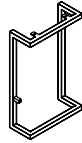
Part # B26-MDAS XX+XX

19-0503

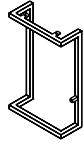
PARTS



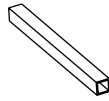
A



B



C



D



x2
(M6x10mm)

E



x4
(M6x22mm)

F



x6

G



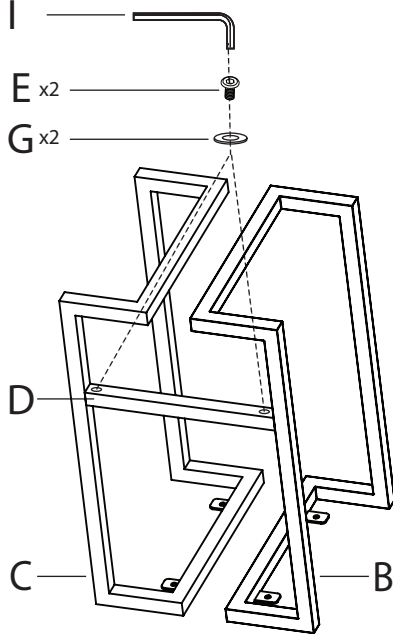
x4

H

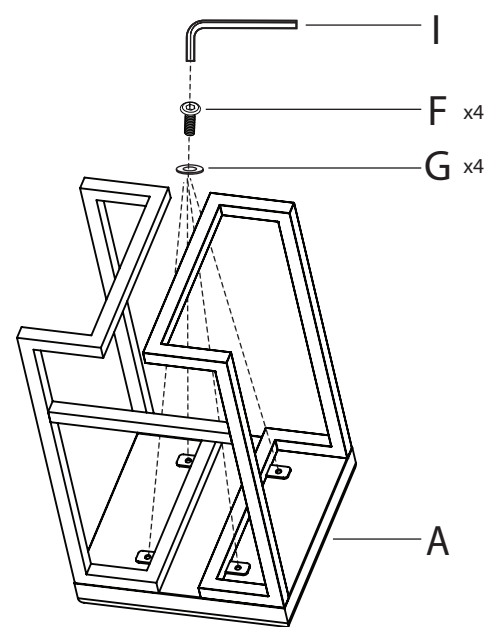


I

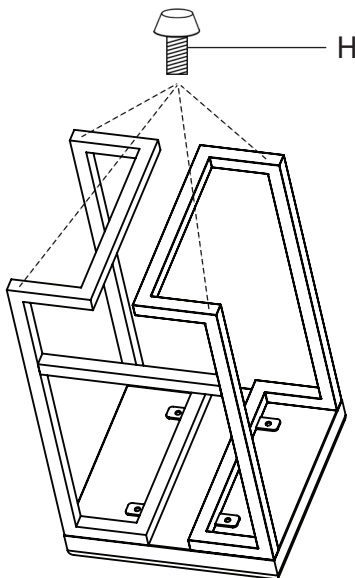
1



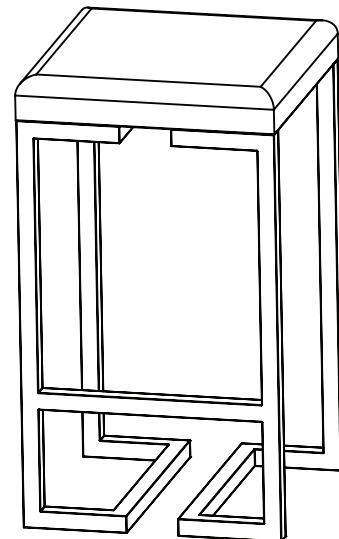
2



3



4



Do not over tighten.
 Do not use power tools to assemble.