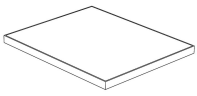
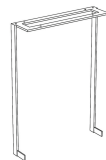
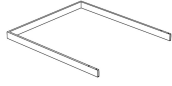
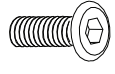




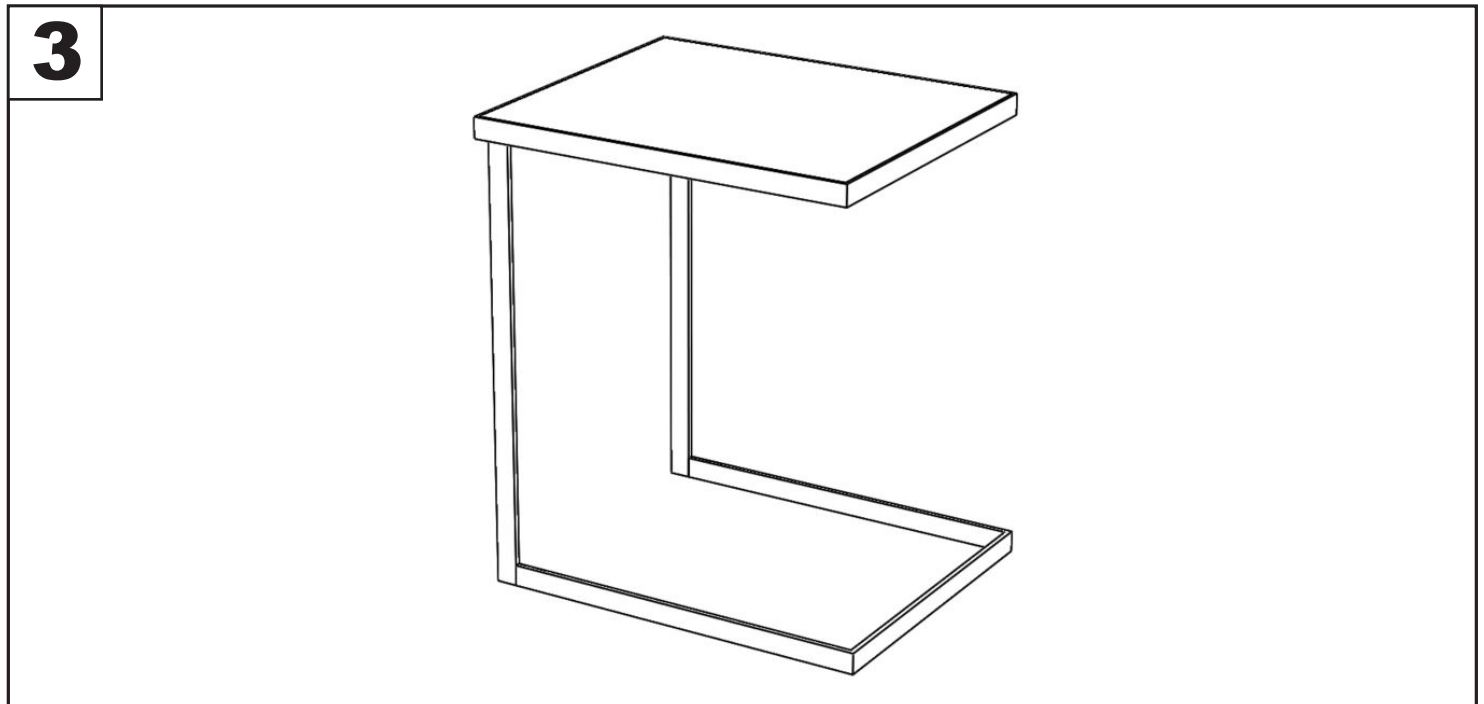
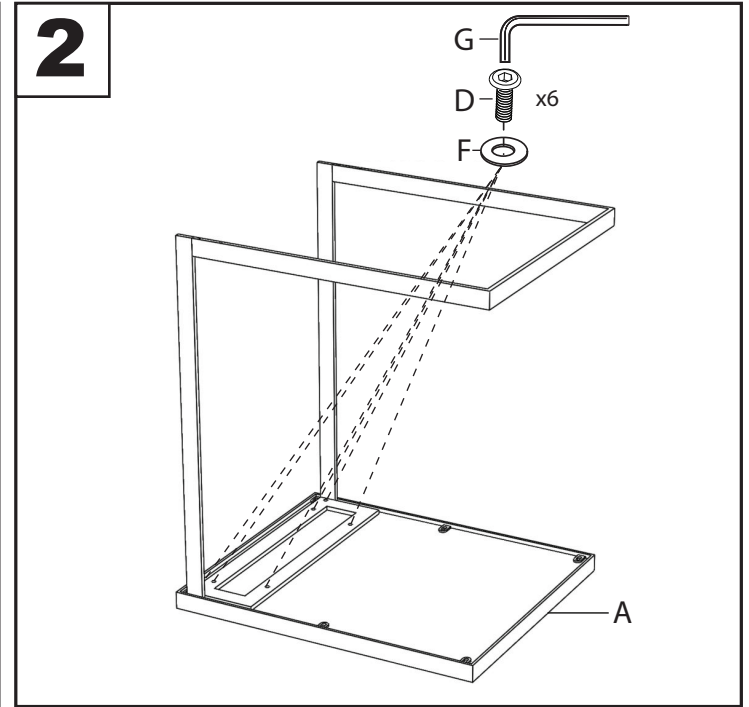
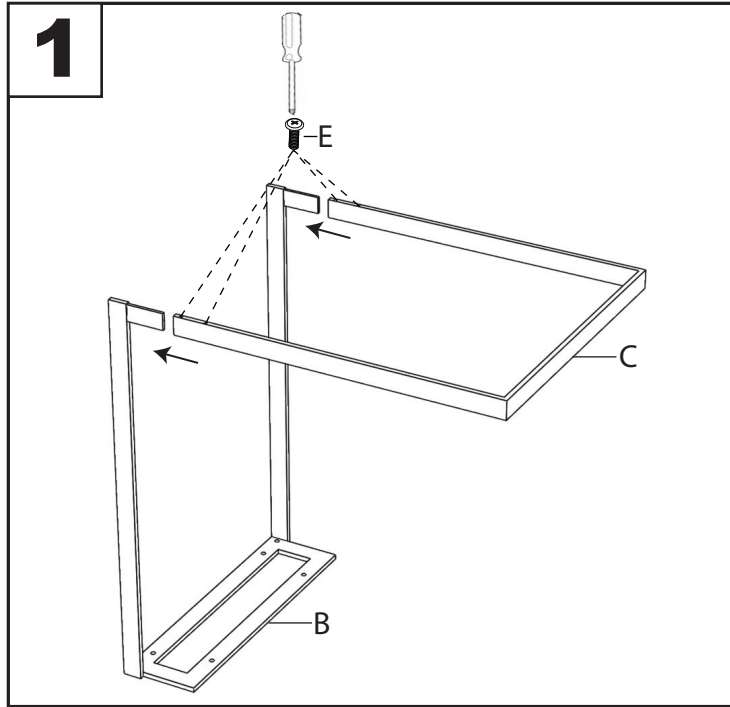


Industrial Zenn End Table

Part # TB-ZENN XXXX

19-0424

PARTS								TOOLS
								
A	B	C	(M8 x 15mm) x6 D	(M4 x 12mm) x4 E	x6 F	G		



Do not over tighten.
 Do not use power tools to assemble.