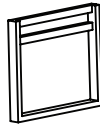


Part # BC-DRIFT XX+XX

18-0820

PARTS

A

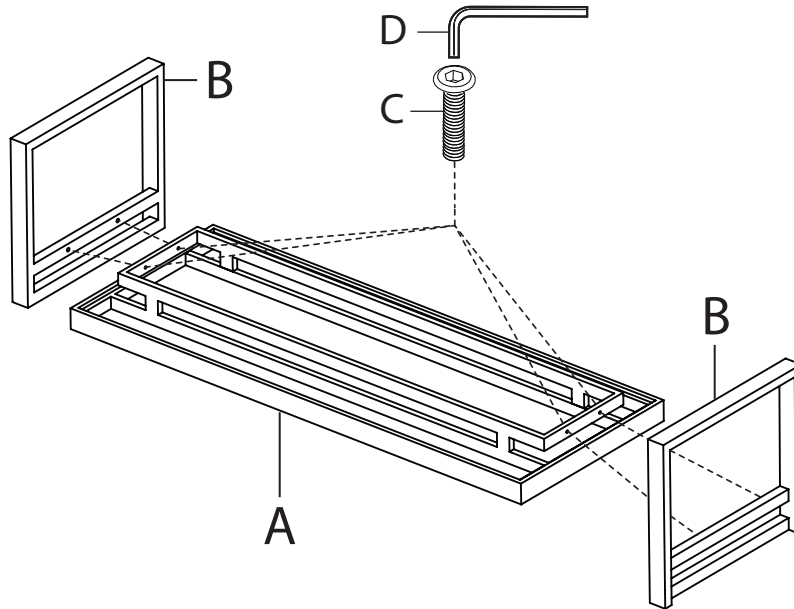
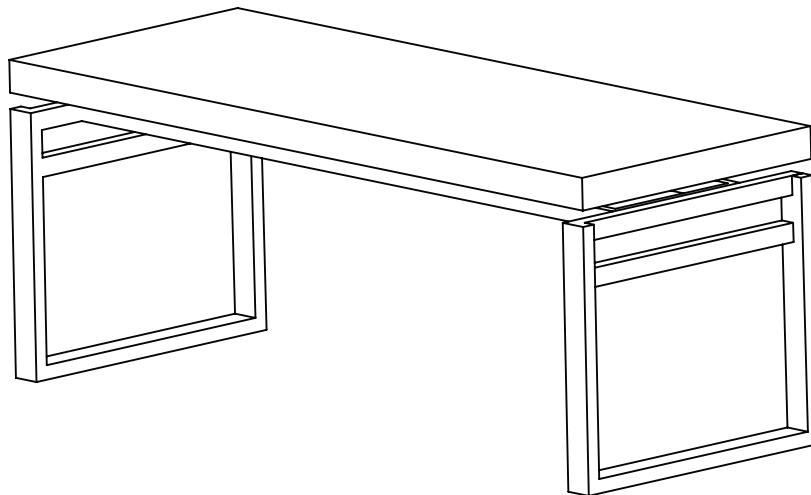
x2
B

(M6x50mm)

x4
C

(M6)

D

1**2**

Do not over tighten.
Do not use power tools to assemble.