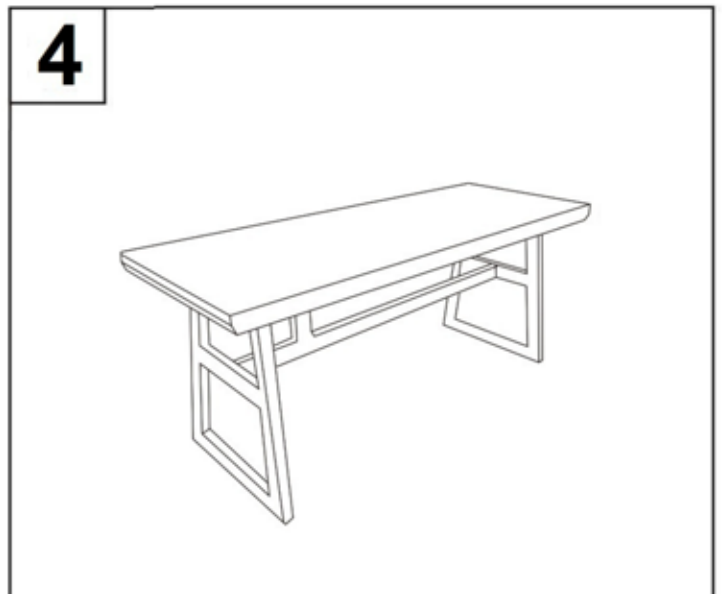
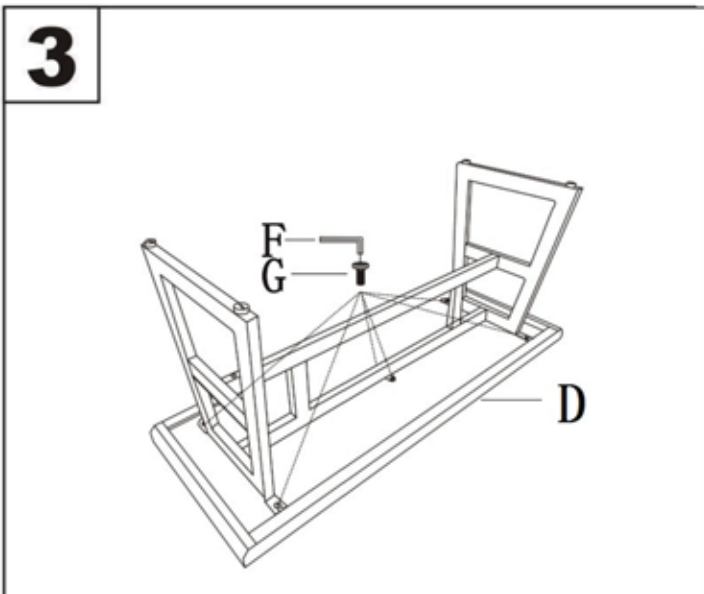
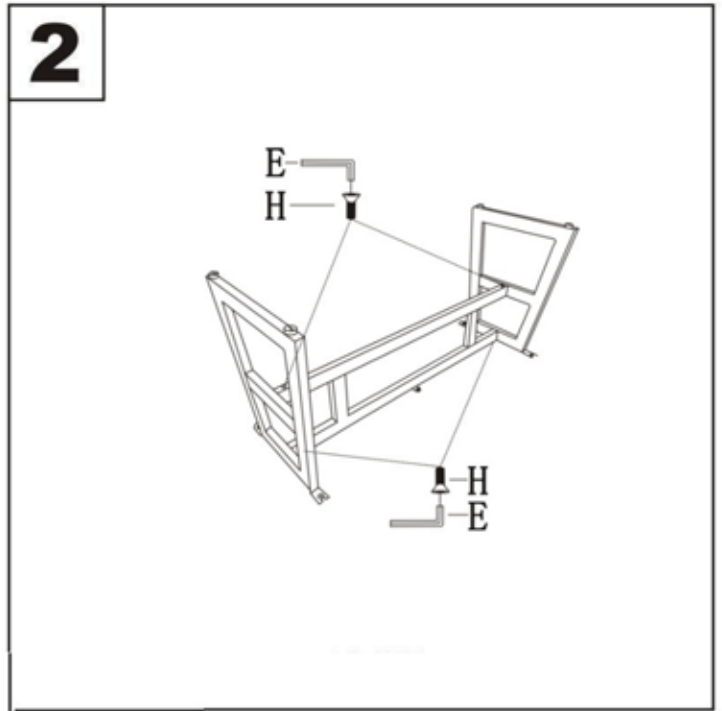
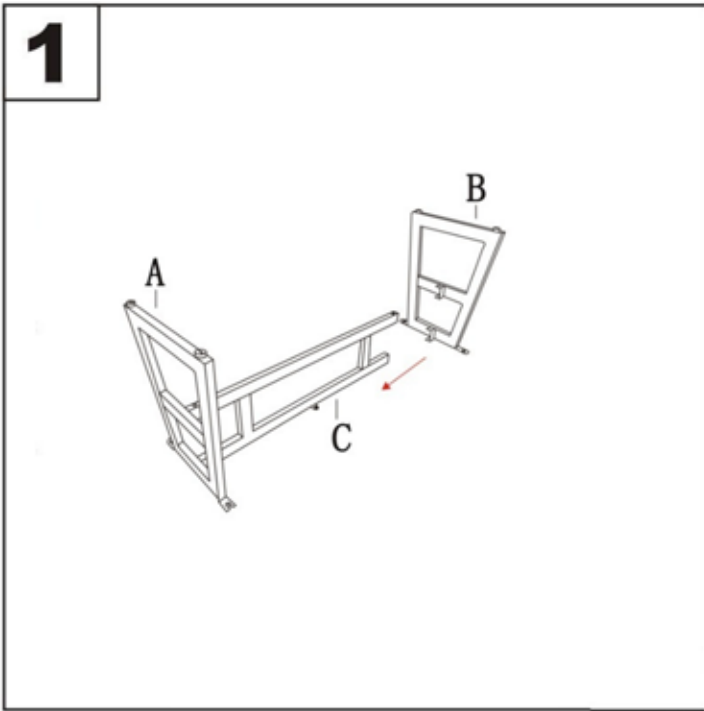
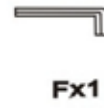
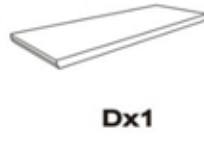
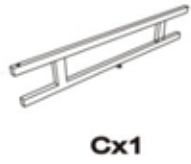
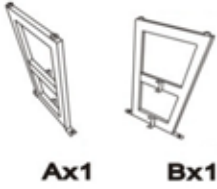


GEO BENCH

Part # BC-GEO XX

20-0108

PARTS



Do not over tighten.
Do not use power tools to assemble.