

# Zac Counter Stool

Part # B24 - ZAC XX

19-0103

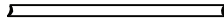
**PARTS**



A



x2  
B



x2  
C



M6X30  
X4  
D

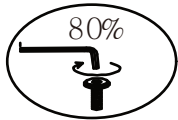
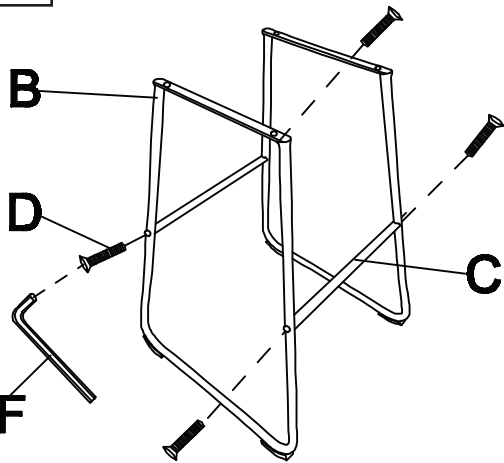


M6X16  
X4  
E

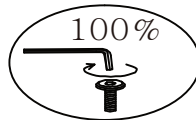
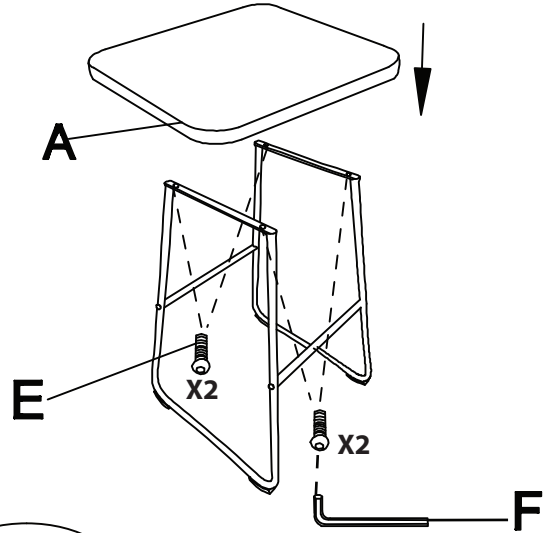


F

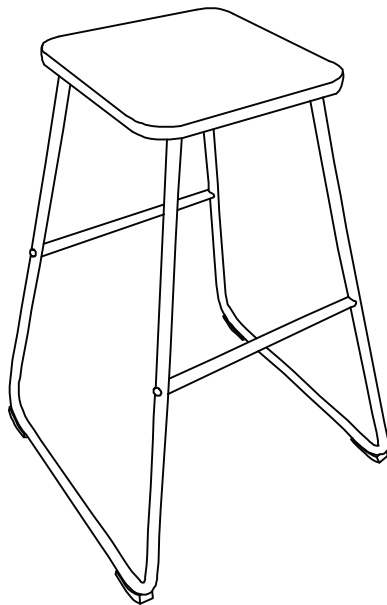
**1**



**2**



**3**



Do not over tighten.  
 Do not use power tools to assemble.