

Part # CH-MARA XX+XX

19-0103

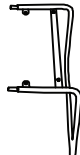
PARTS



A



B



C



(M6x25mm)

x4

D



(M6x15mm)

x2

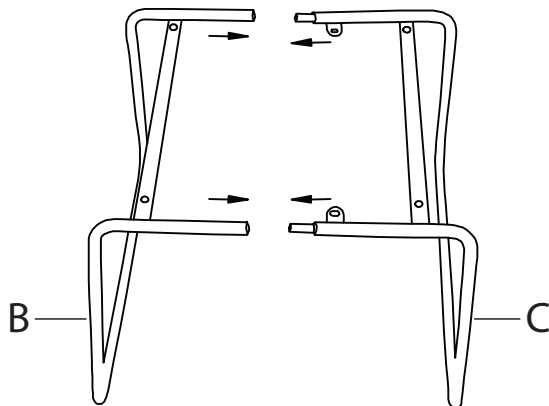
E



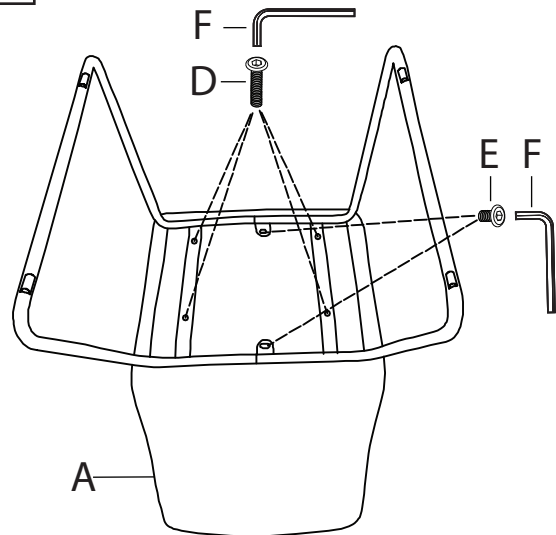
(M6)

F

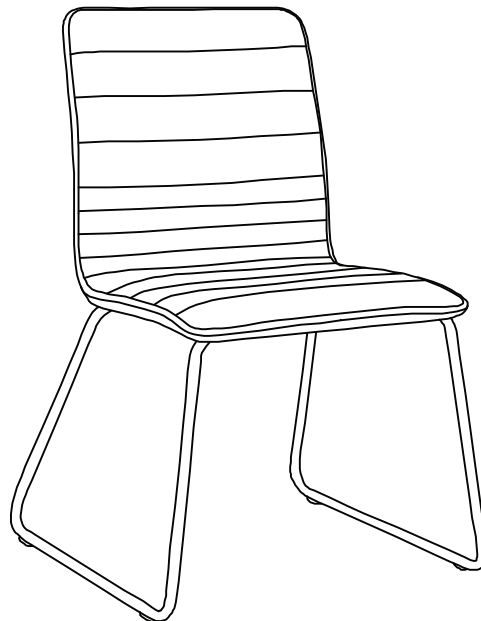
1



2



3



Do not over tighten.
Do not use power tools to assemble.