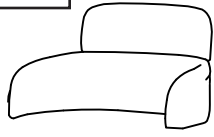


Napoli Chair

Part # CH-NAPOLI XX

19-0702

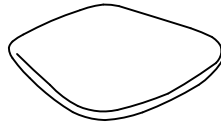
PARTS



A



B



C



x2
 (m6 x 25mm)
 D



x1
 (m6 x 15mm)
 E



x4
 F



x4
 (m6 x 16mm)
 G

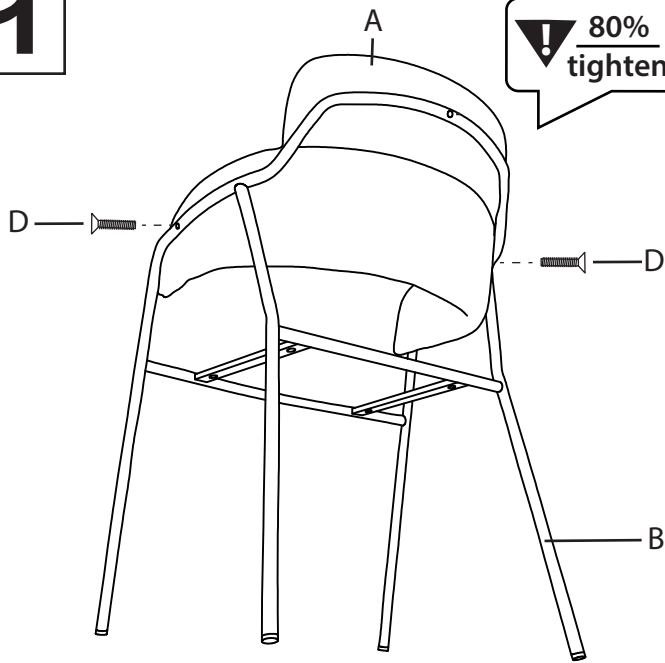


H

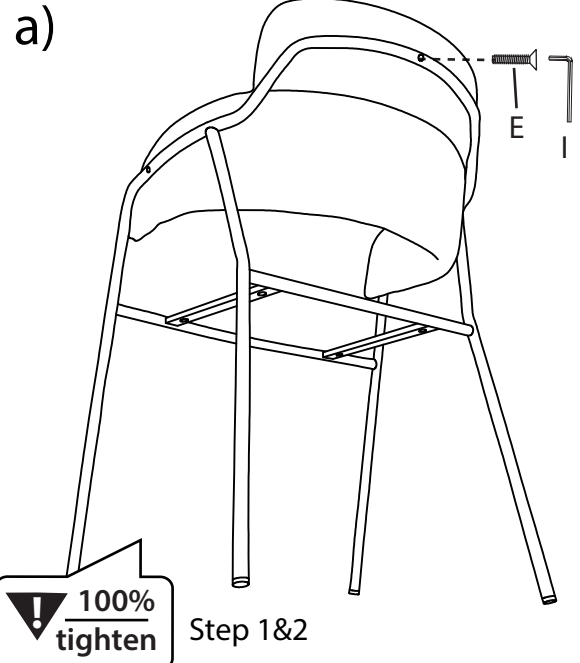


I

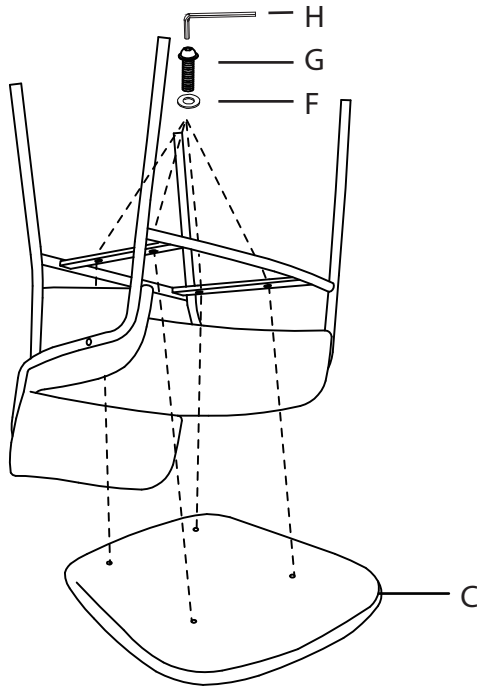
1



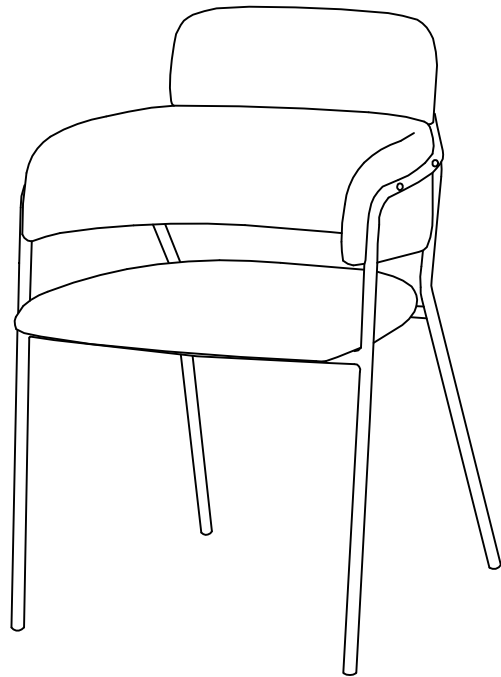
2



3



4



Do not over tighten.
 Do not use power tools to assemble.