

# Harper Media Console

Part # TV-HARPERGLD XX

20-0310

**PARTS**



(7 x 39mm)  
A x 22



B x 22



(8 x 30mm)  
C x 27



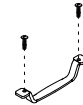
D x 4



(3 x 16mm)  
E x 22



(5 x 40mm)  
F x 8



G x 2



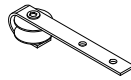
H x 4



I x 6



(4 x 16mm)  
J x 8



K x 4



L x 1

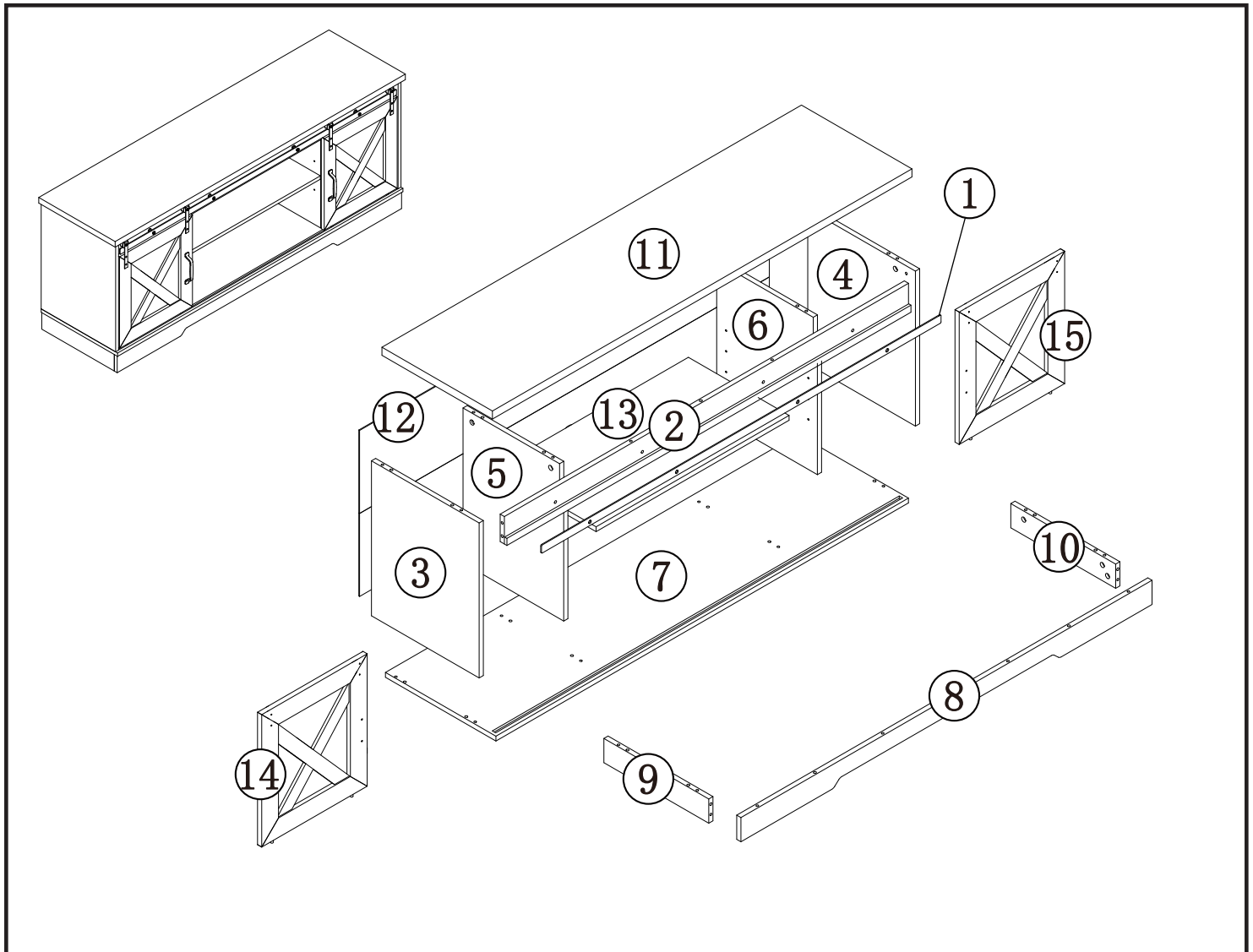


M x 1



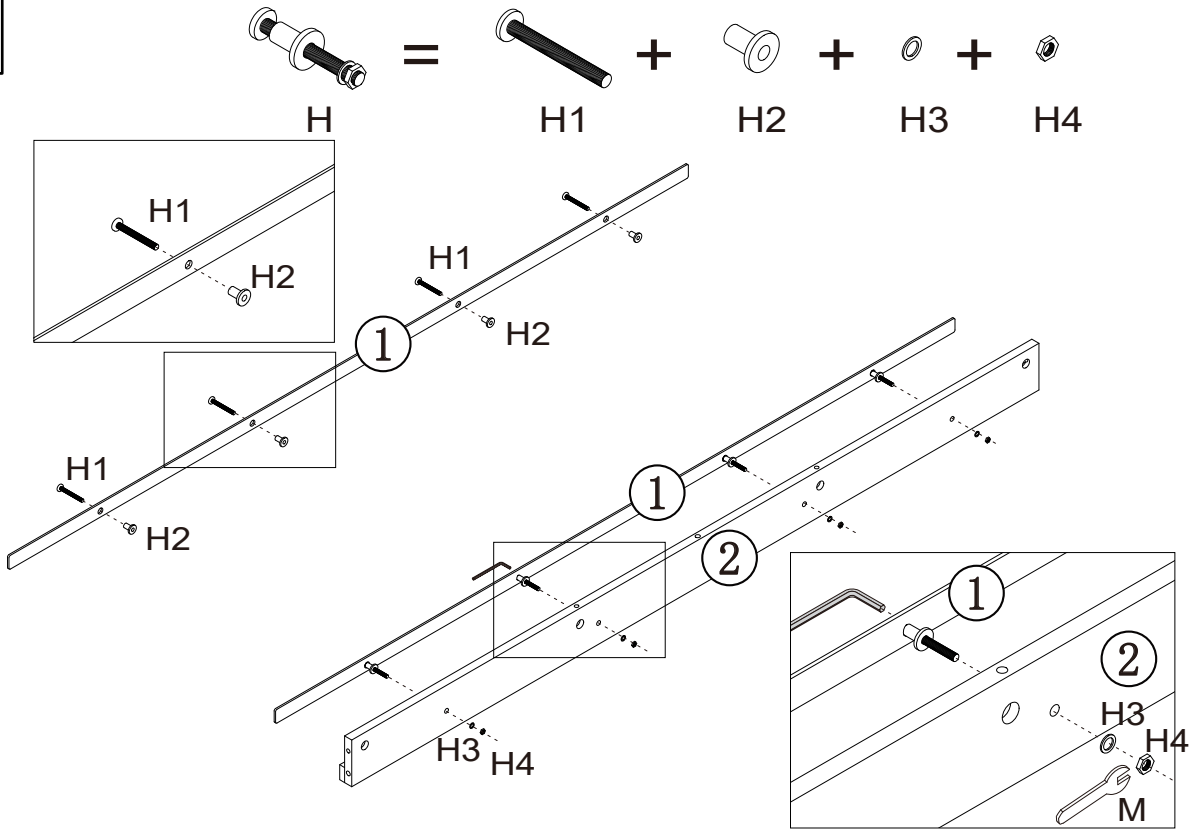
N x 4

**TOOLS**

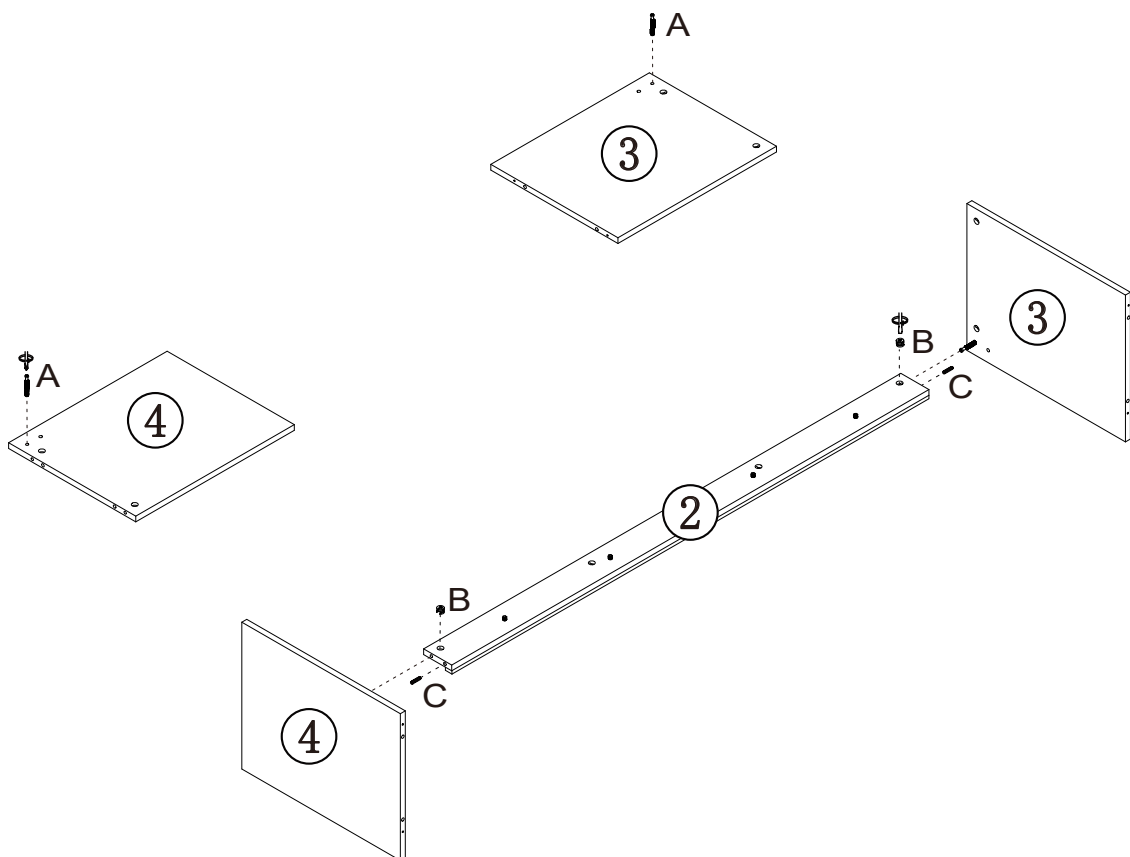


Do not over tighten.  
Do not use power tools to assemble.

1



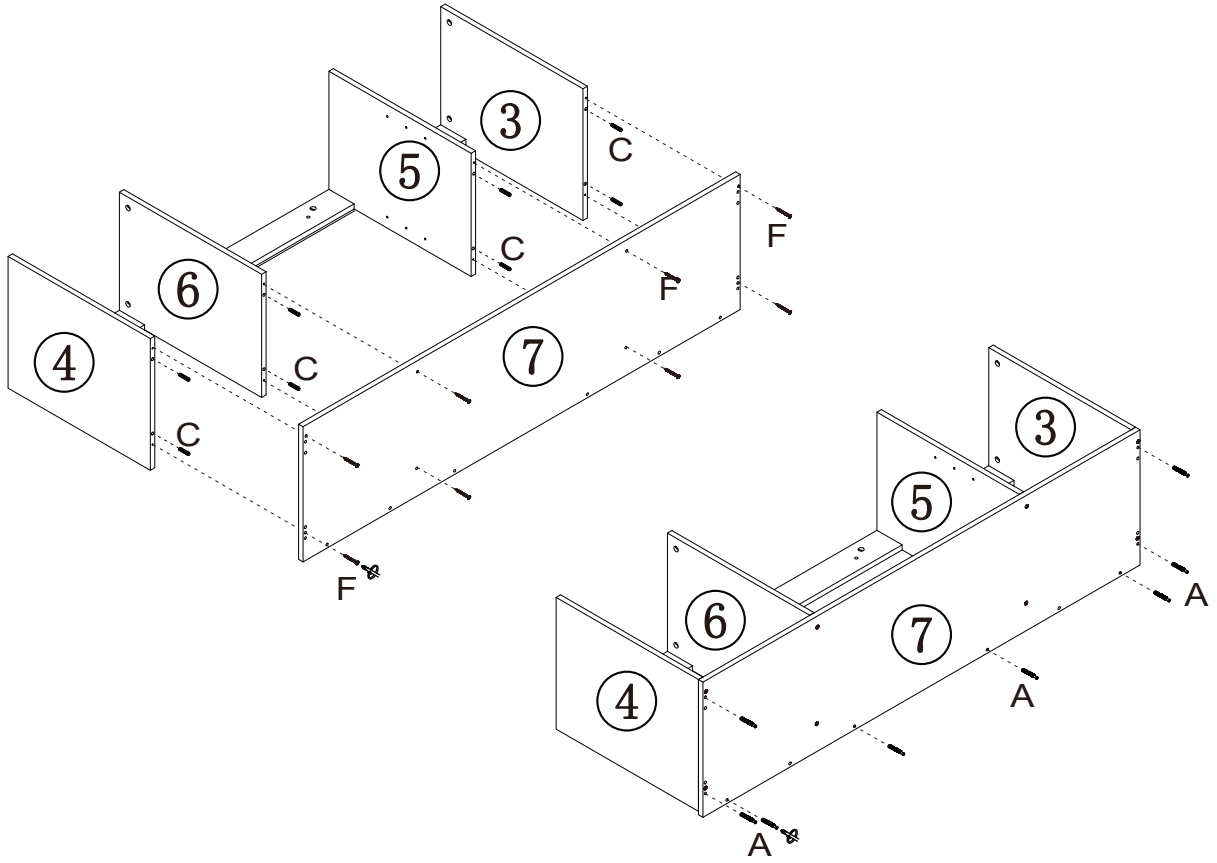
2



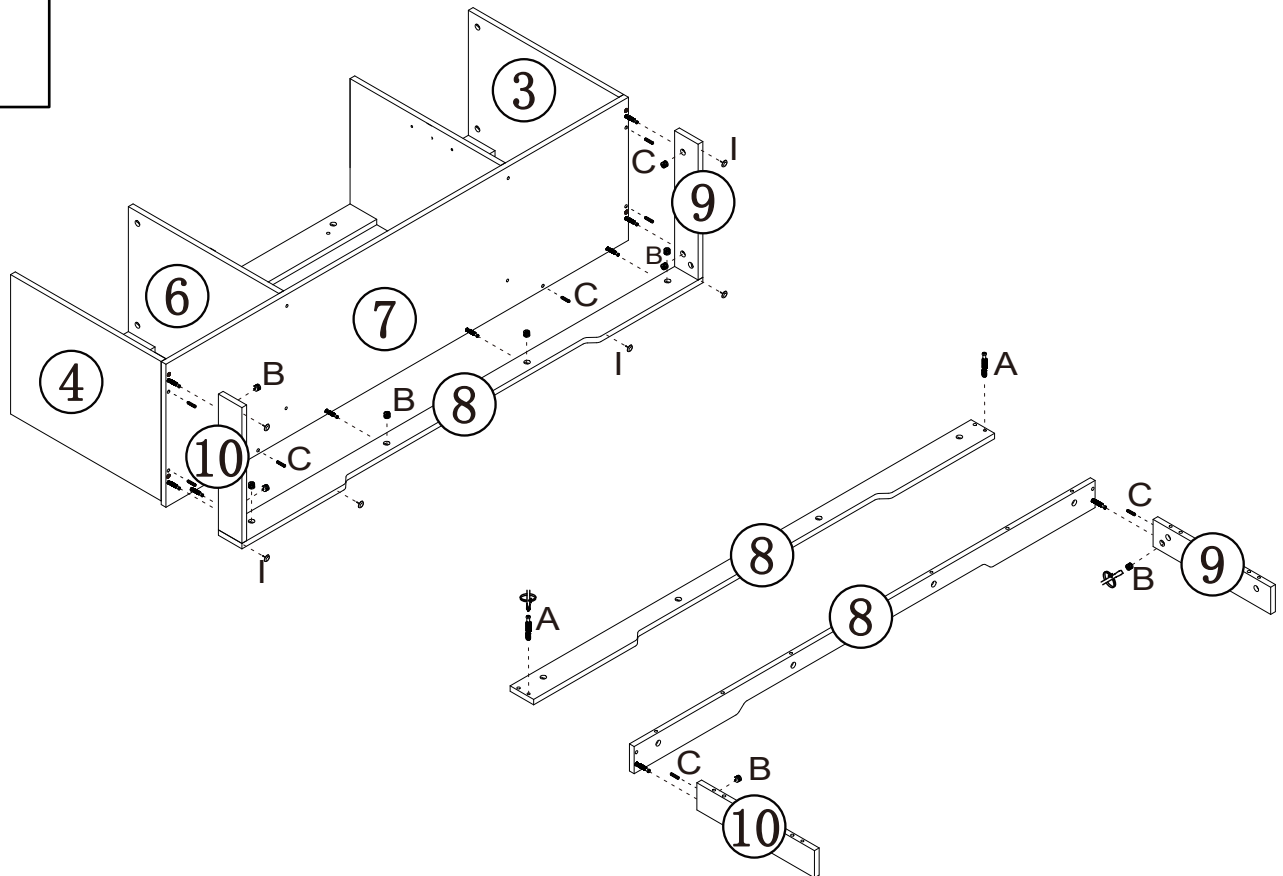
Do not over tighten.  
Do not use power tools to assemble.

[www.LumiSource.com](http://www.LumiSource.com)

3



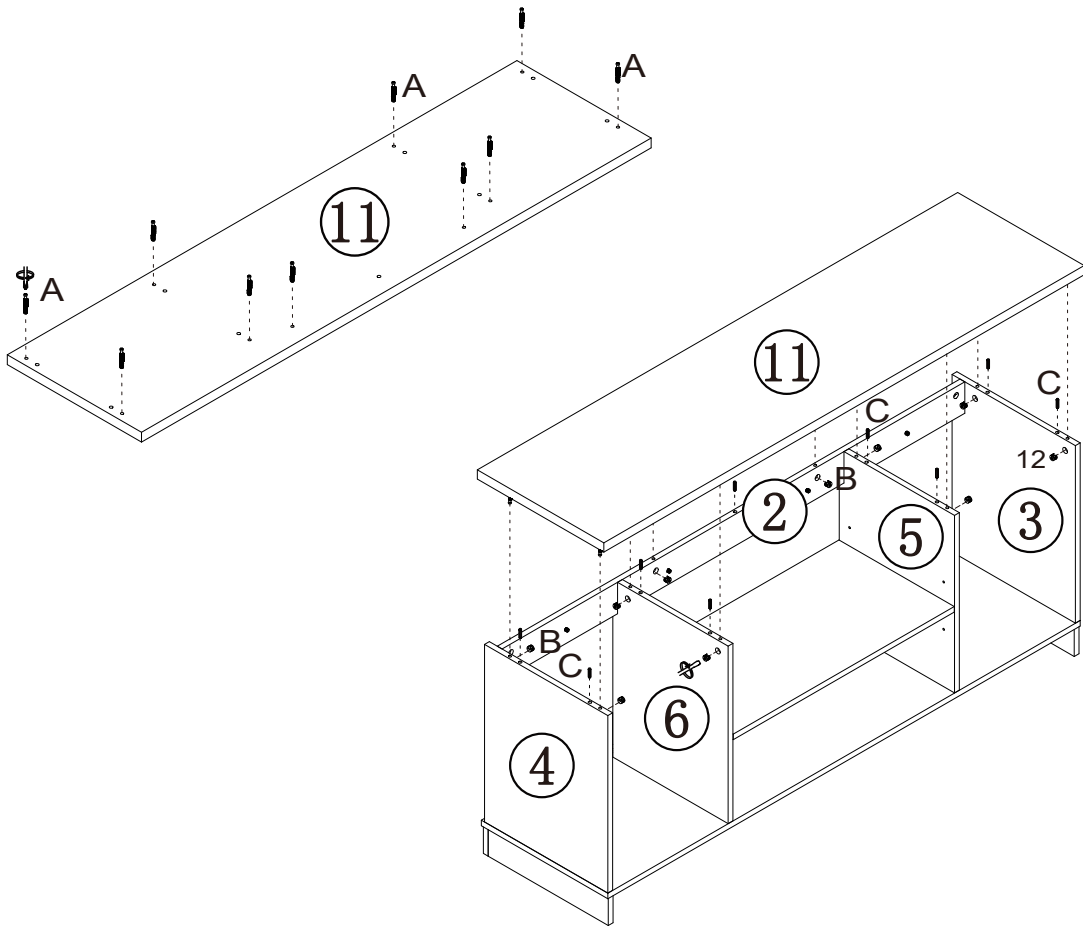
4



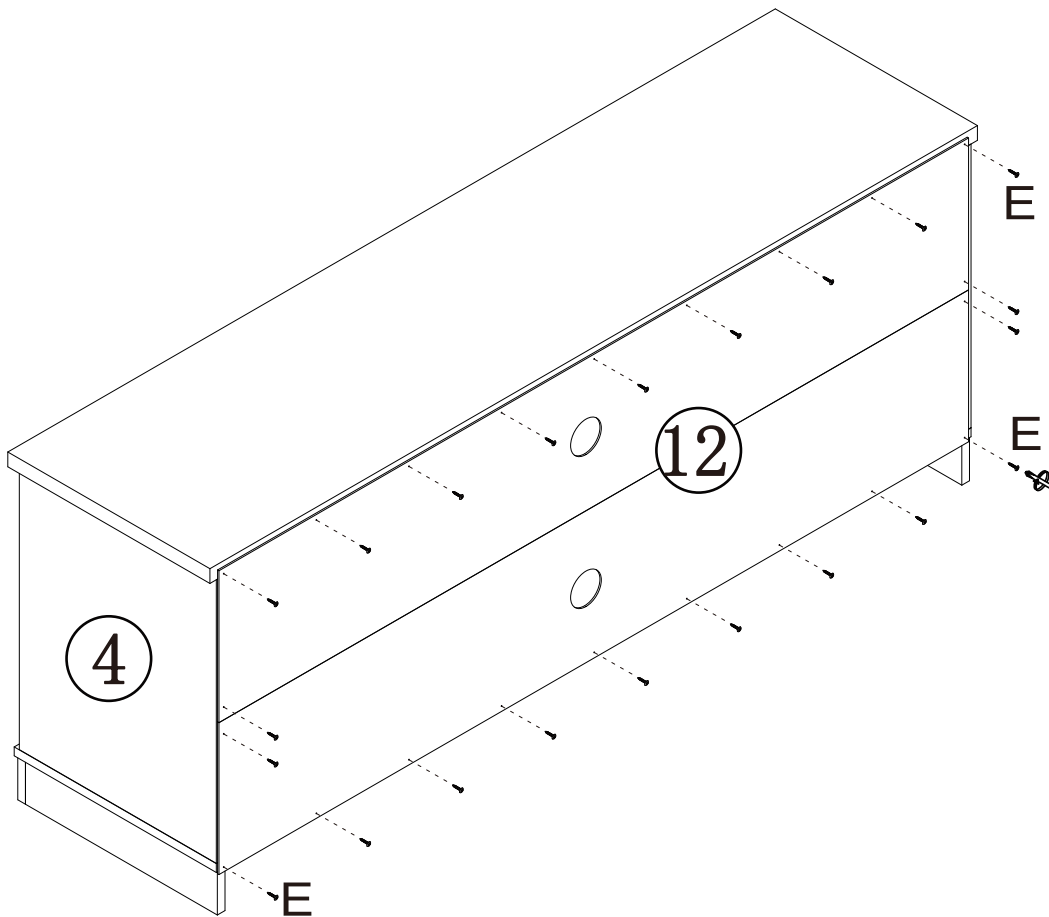
Do not over tighten.  
Do not use power tools to assemble.

[www.LumiSource.com](http://www.LumiSource.com)

5



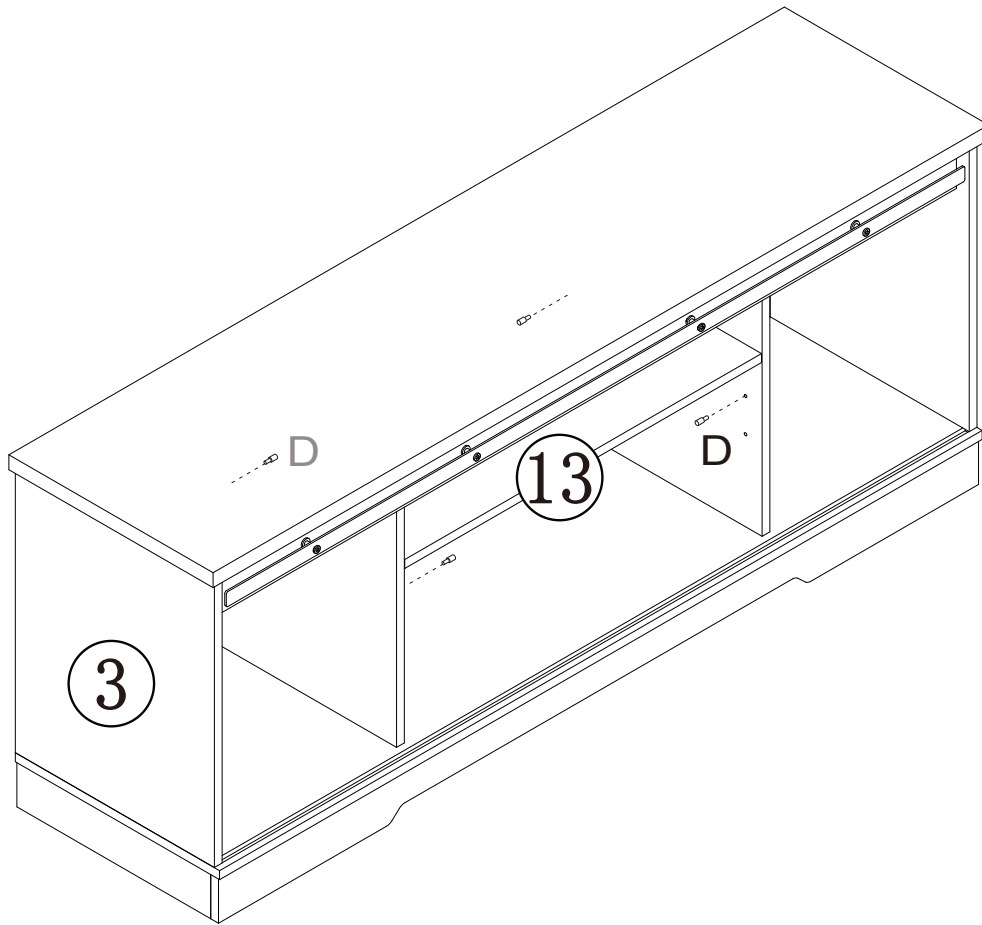
6



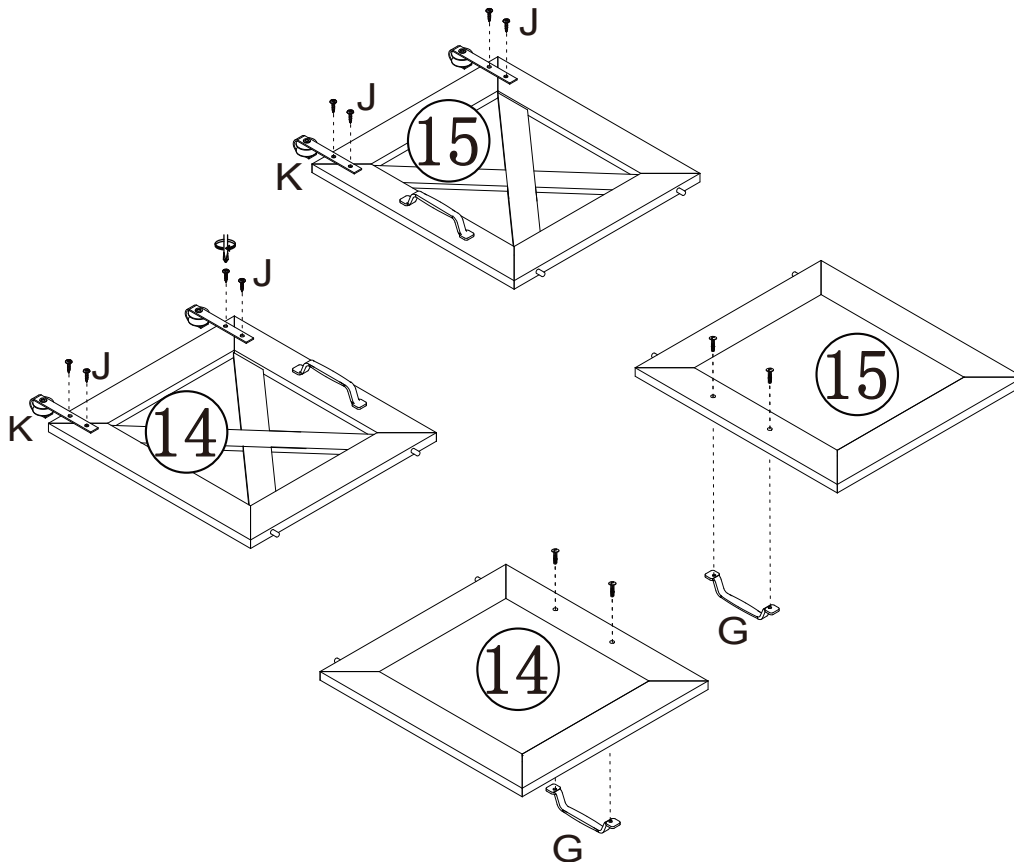
Do not over tighten.  
Do not use power tools to assemble.

[www.LumiSource.com](http://www.LumiSource.com)

7



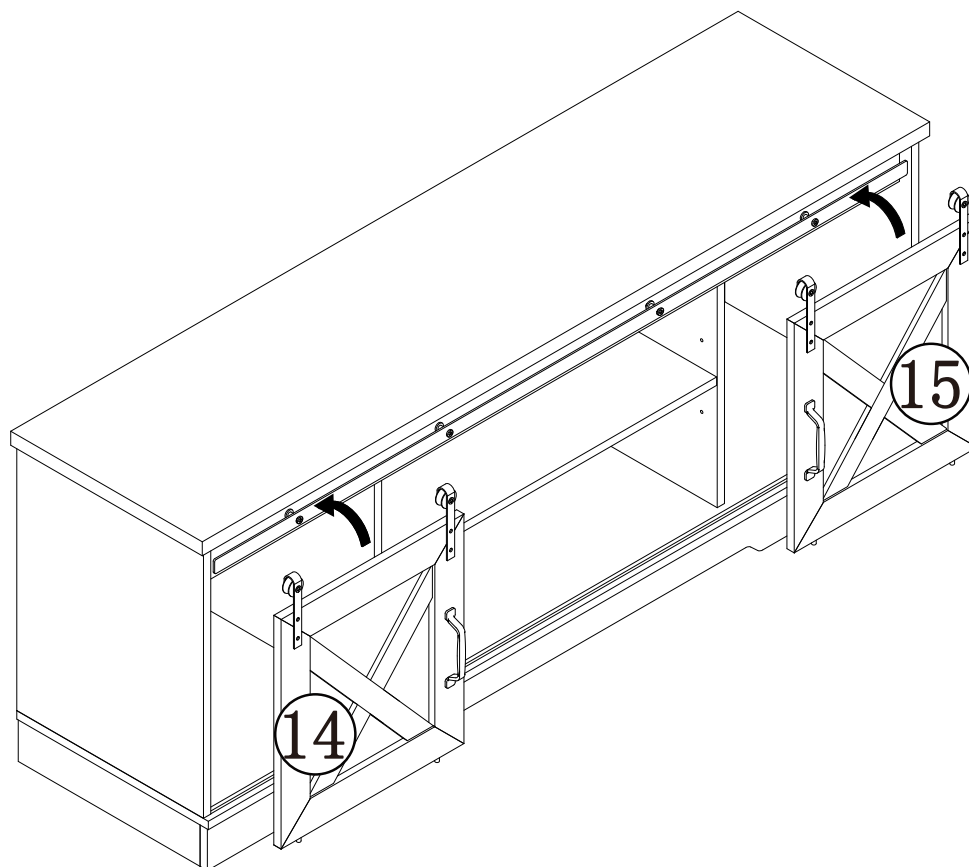
8



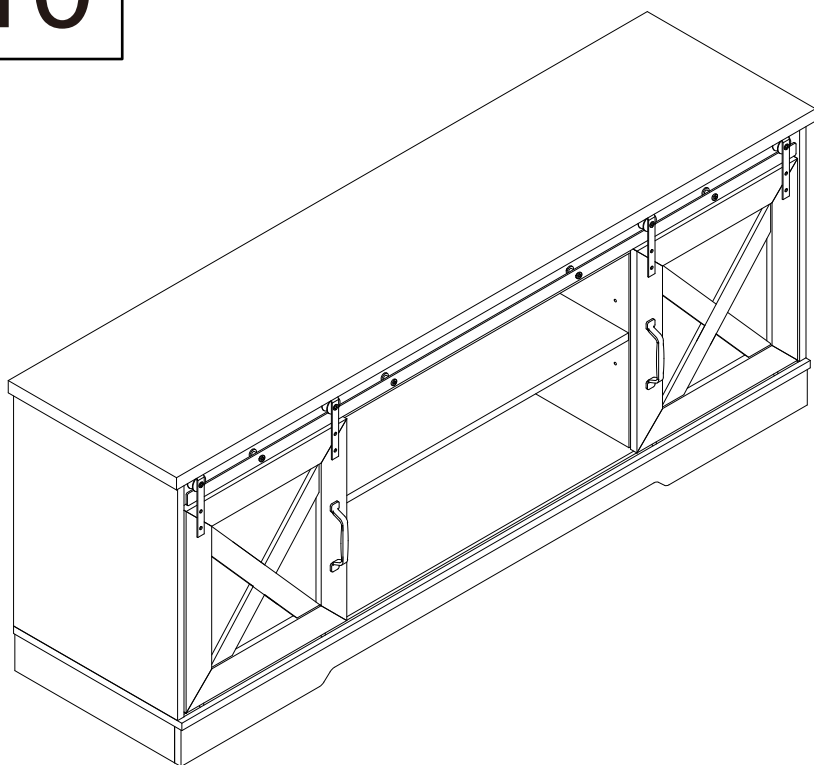
Do not over tighten.  
Do not use power tools to assemble.

[www.LumiSource.com](http://www.LumiSource.com)

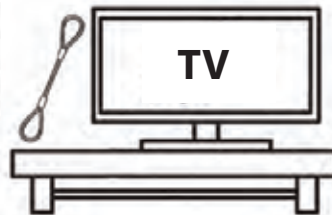
9



10



### SAFETY WARNING:



- TV's CAN CAUSE SERIOUS INJURY OR DEATH DUE TO TIPPING OVER
- SECURE TV TO THE WALL OR FURNITURE TO AVOID POTENTIAL TIPPING INJURY
- FOR MORE INFORMATION VISIT: [WWW.ANCHORIT.GOV](http://WWW.ANCHORIT.GOV)
- TV'S PUEDEN CAUSAR LESIONES GRAVES O LA MUERTE POR CAERSE
- ASEGURE LA TV A LA PARED O AL MUEBLE PARA EVITAR LESIONES POTENCIALES POR VUELCO
- PARA MÁS INFORMACIÓN VISITE: [WWW.ANCHORIT.GOV](http://WWW.ANCHORIT.GOV)
- LES TÉLÉVISEURS PEUVENT CAUSER DES BLESSURES GRAVES OU LA MORT EN RAISON DE
- SÉCURISER LE TV AU MUR OU AU MOBILIER POUR ÉVITER LES BLESSURES POTENTIELLES DE BASCULEMENT
- POUR PLUS D'INFORMATIONS, VISITEZ: [ANCHORIT.GOV](http://ANCHORIT.GOV)



Do not over tighten.  
Do not use power tools to assemble.

[www.LumiSource.com](http://www.LumiSource.com)