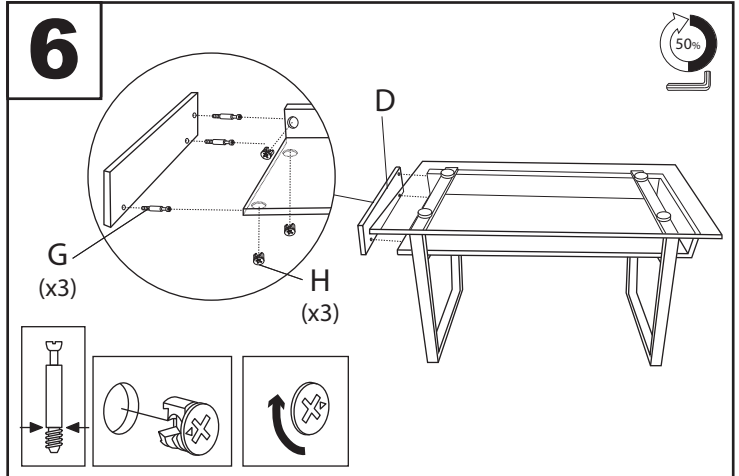
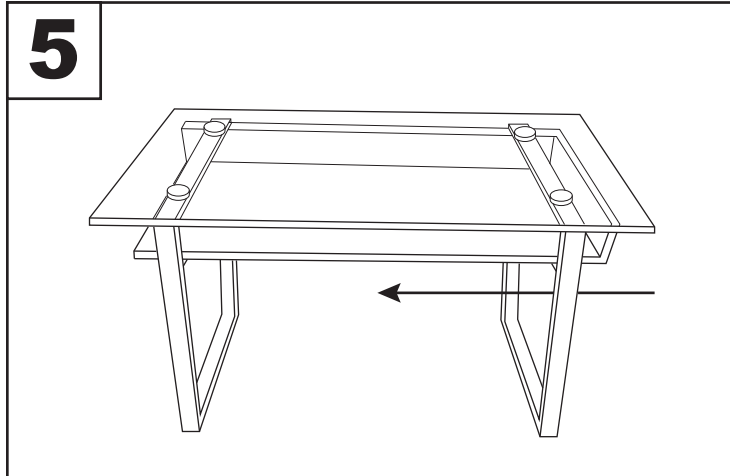
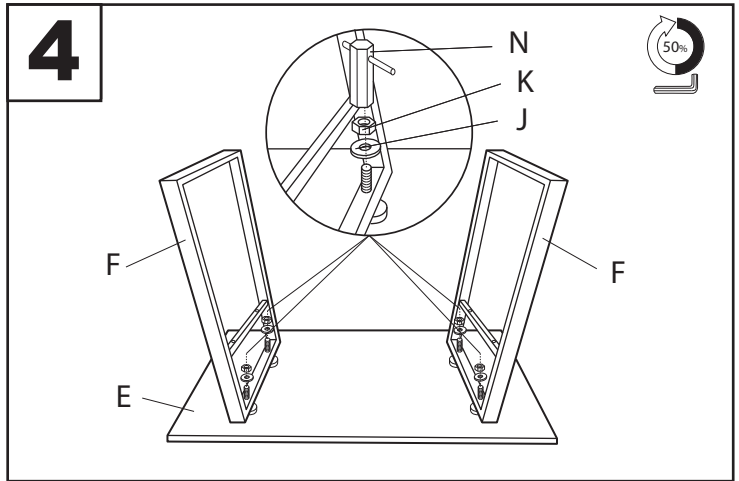
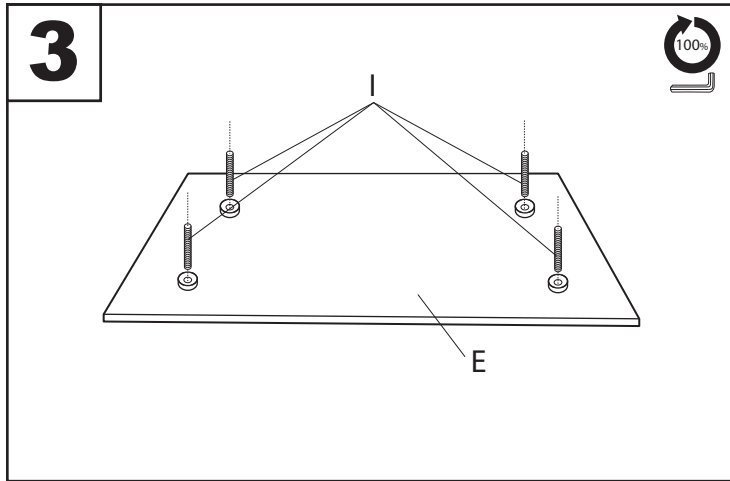
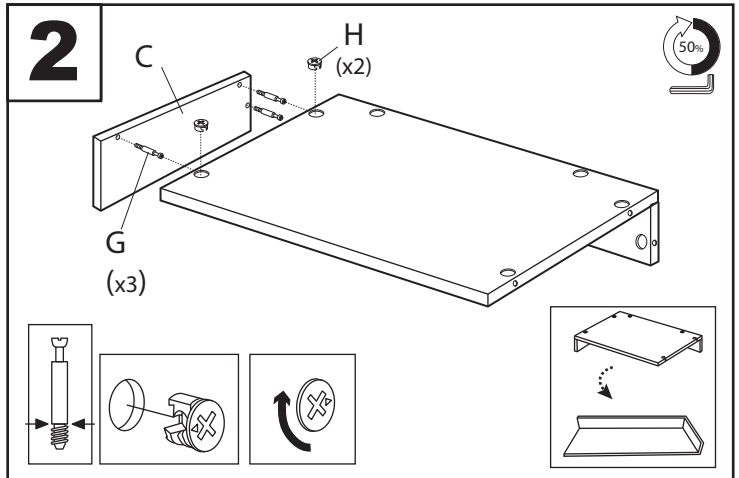
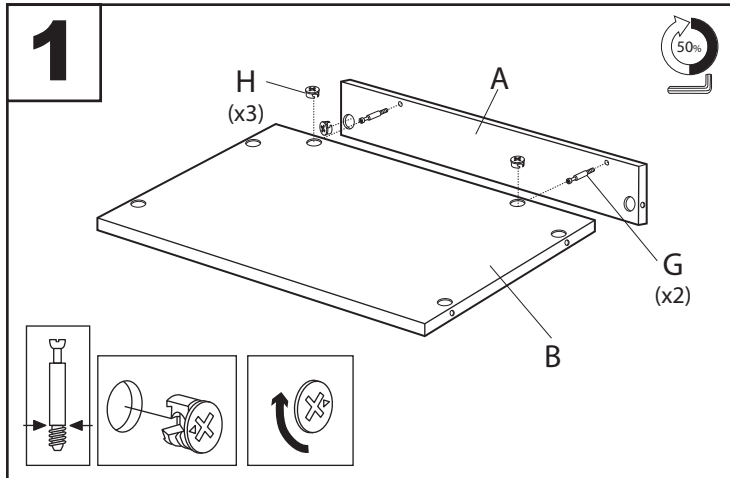
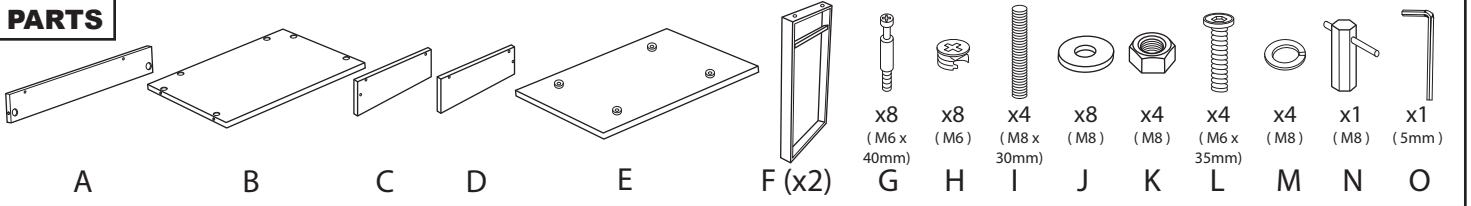


Part # OFD-DUKE XX-XX

20-0529

PARTS

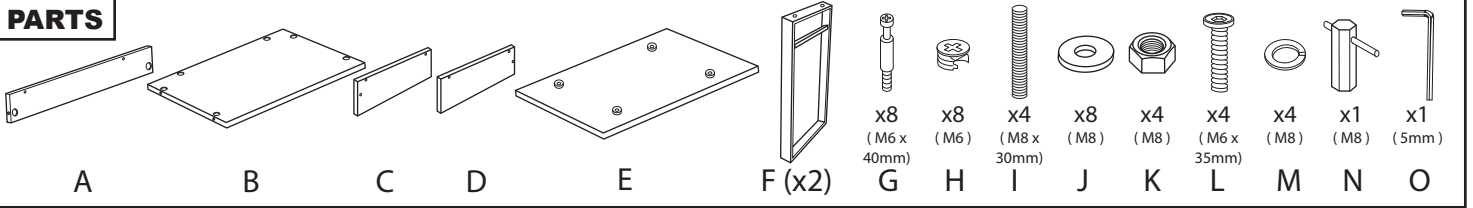


Do not over tighten.
Do not use power tools to assemble.

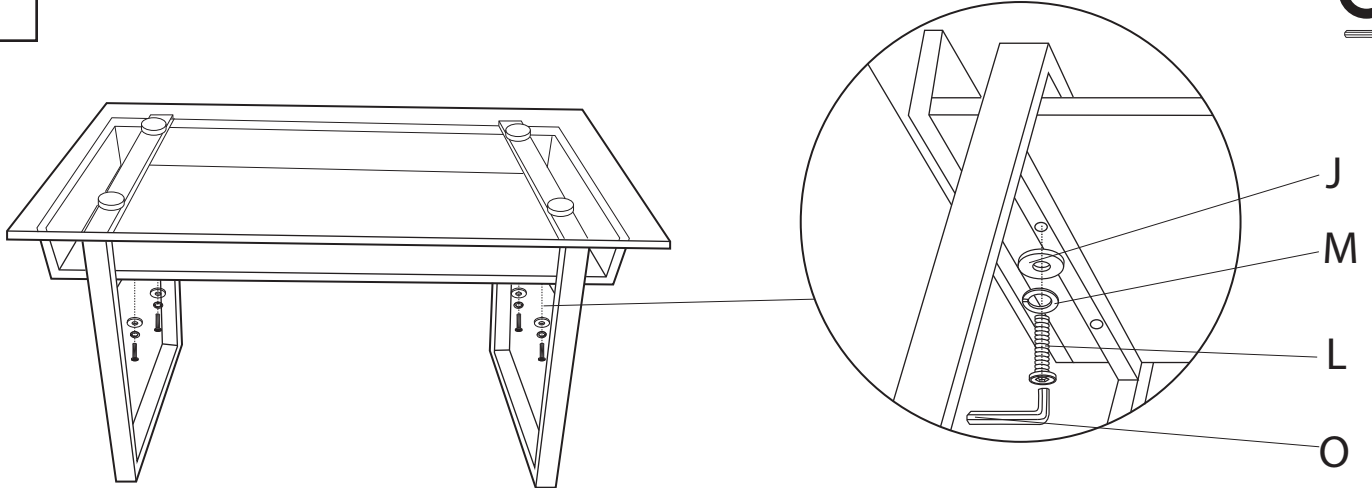
Part # OFD-DUKE XX-XX

20-0529

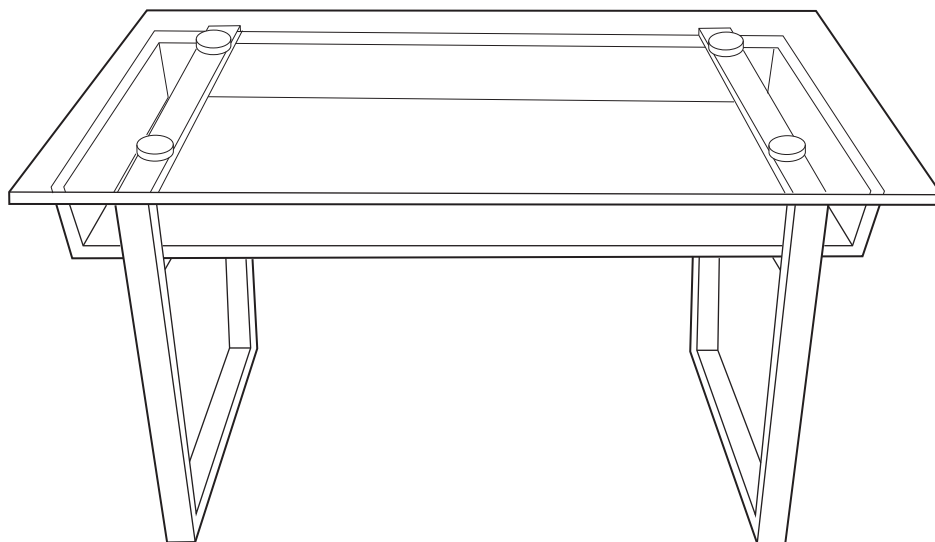
PARTS



7



8



Do not over tighten.
Do not use power tools to assemble.