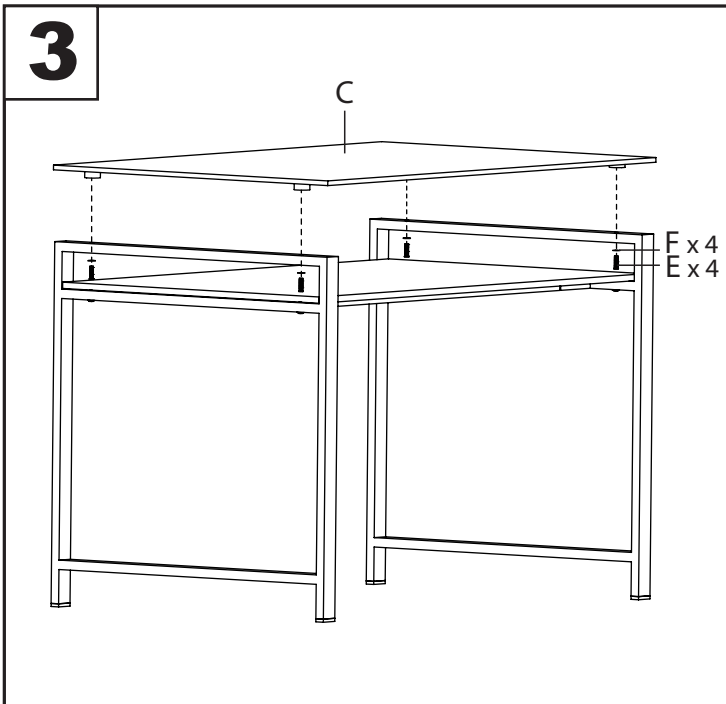
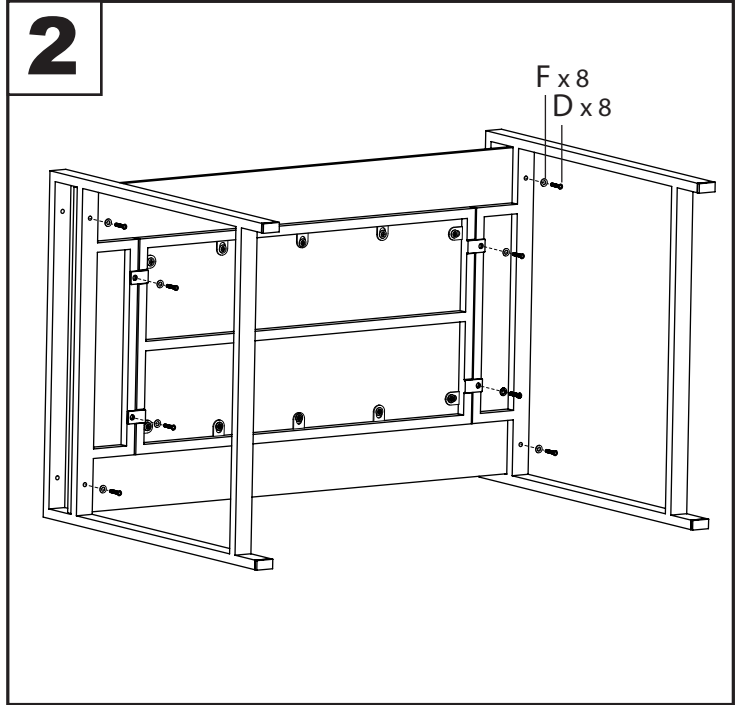
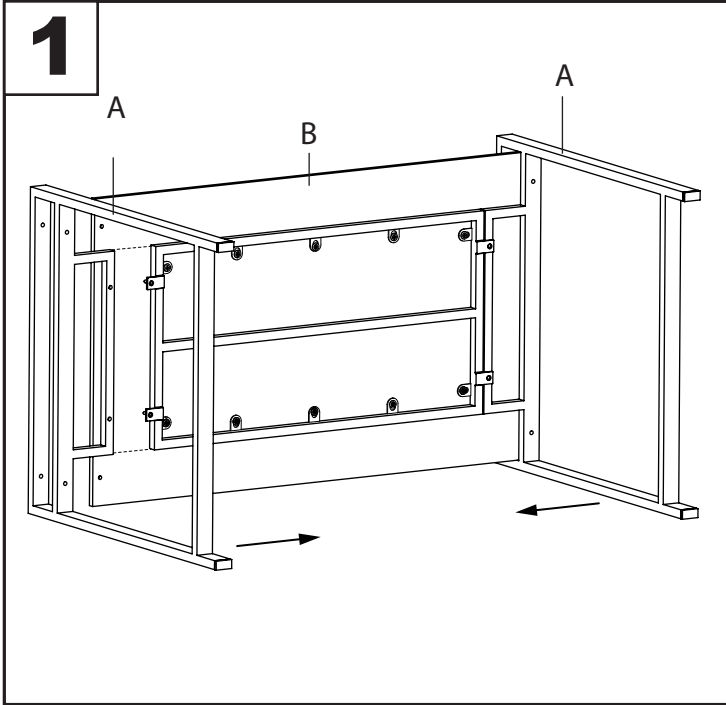
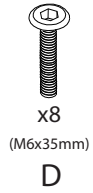
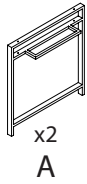


Part # OFD-HOVER XX+XX

20-0915

PARTS



Do not over tighten.
 Do not use power tools to assemble.